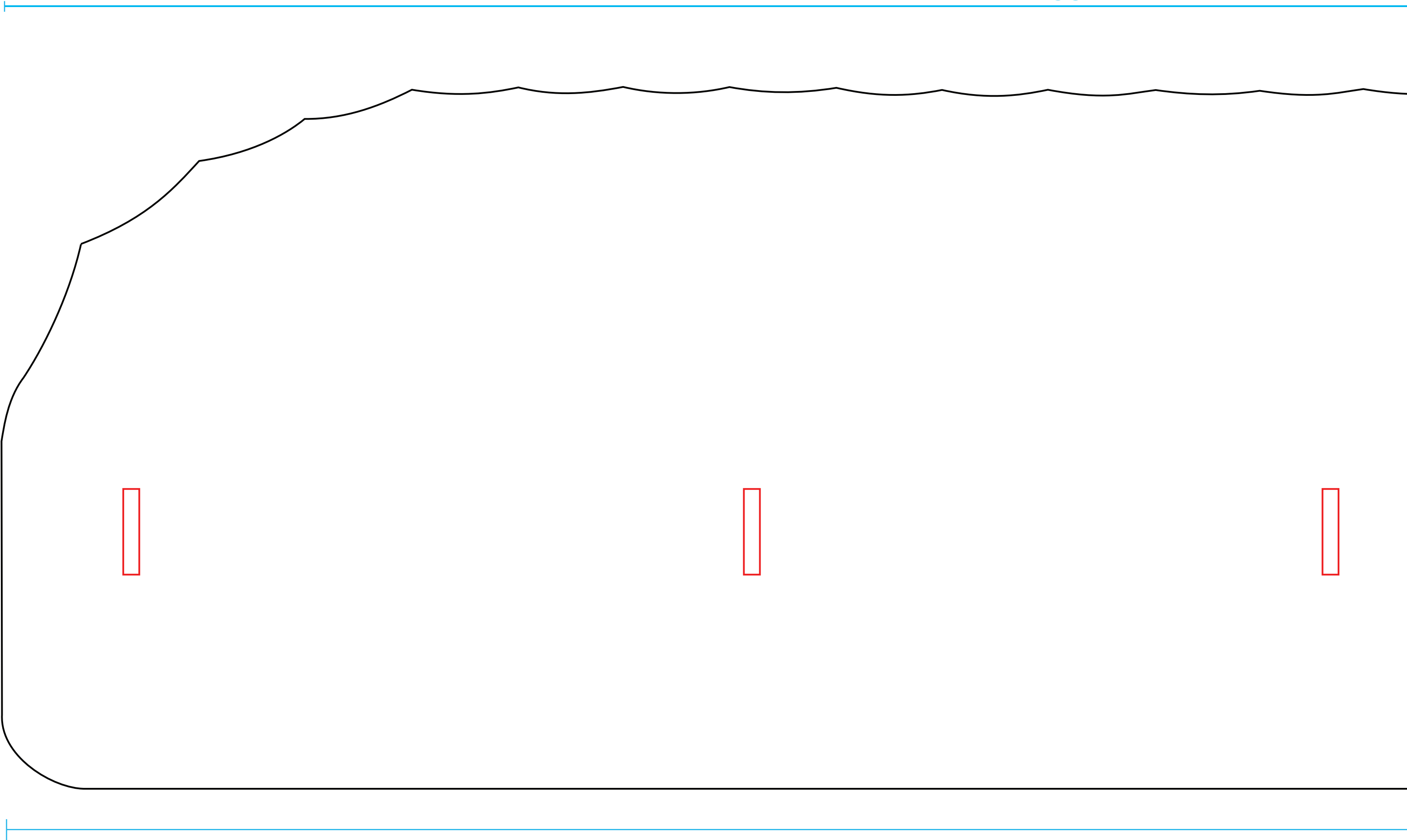
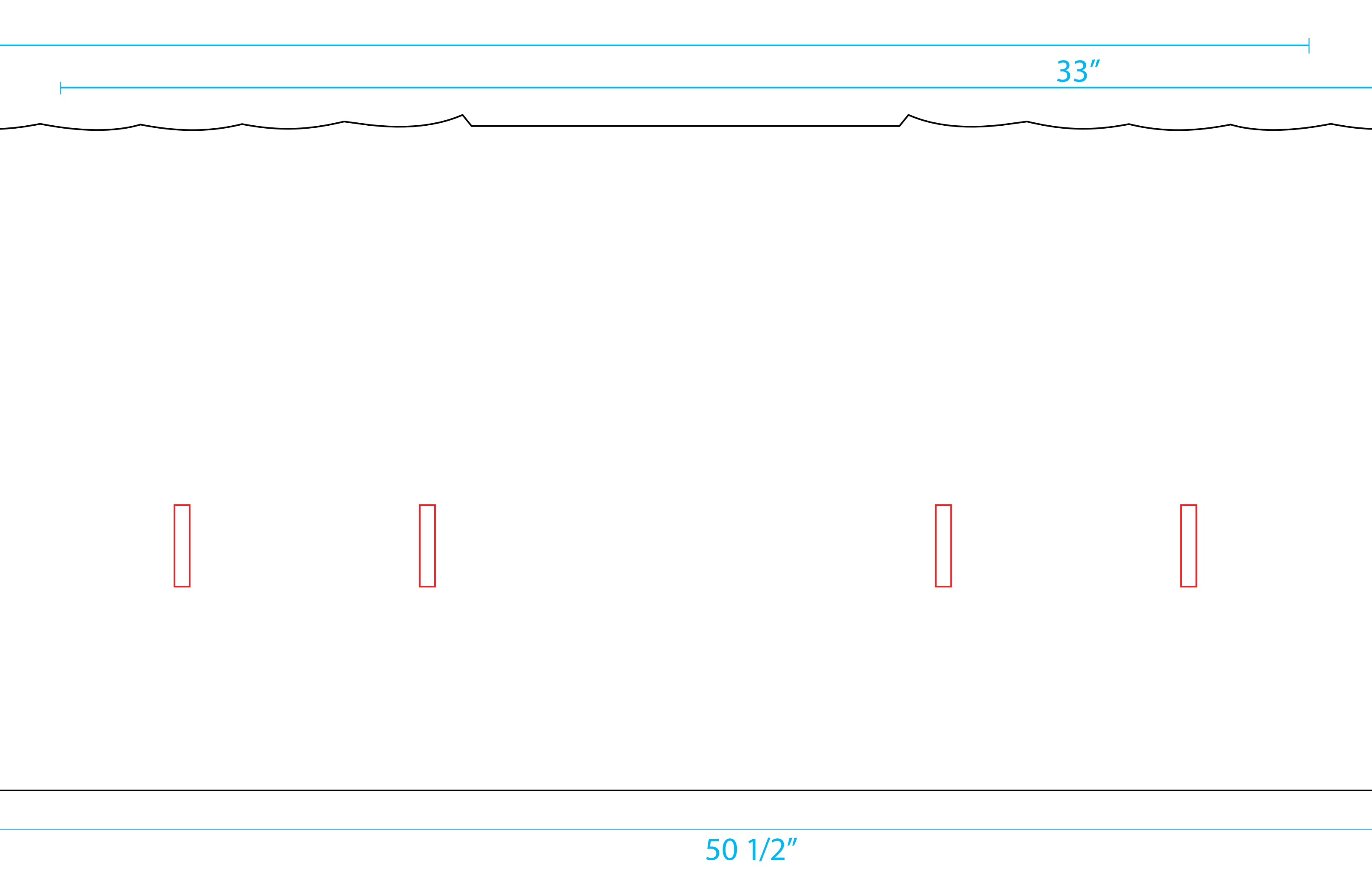


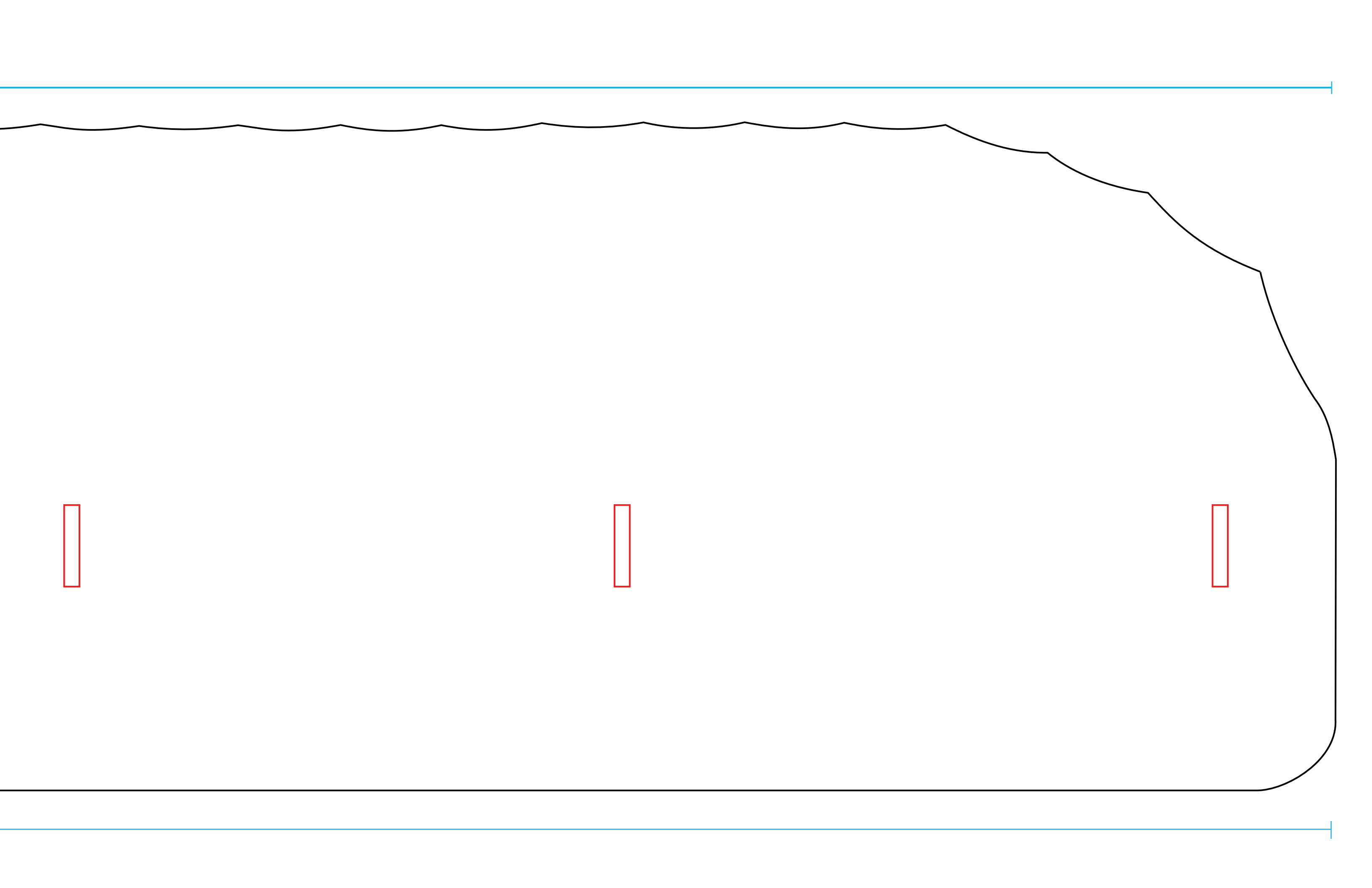
33"

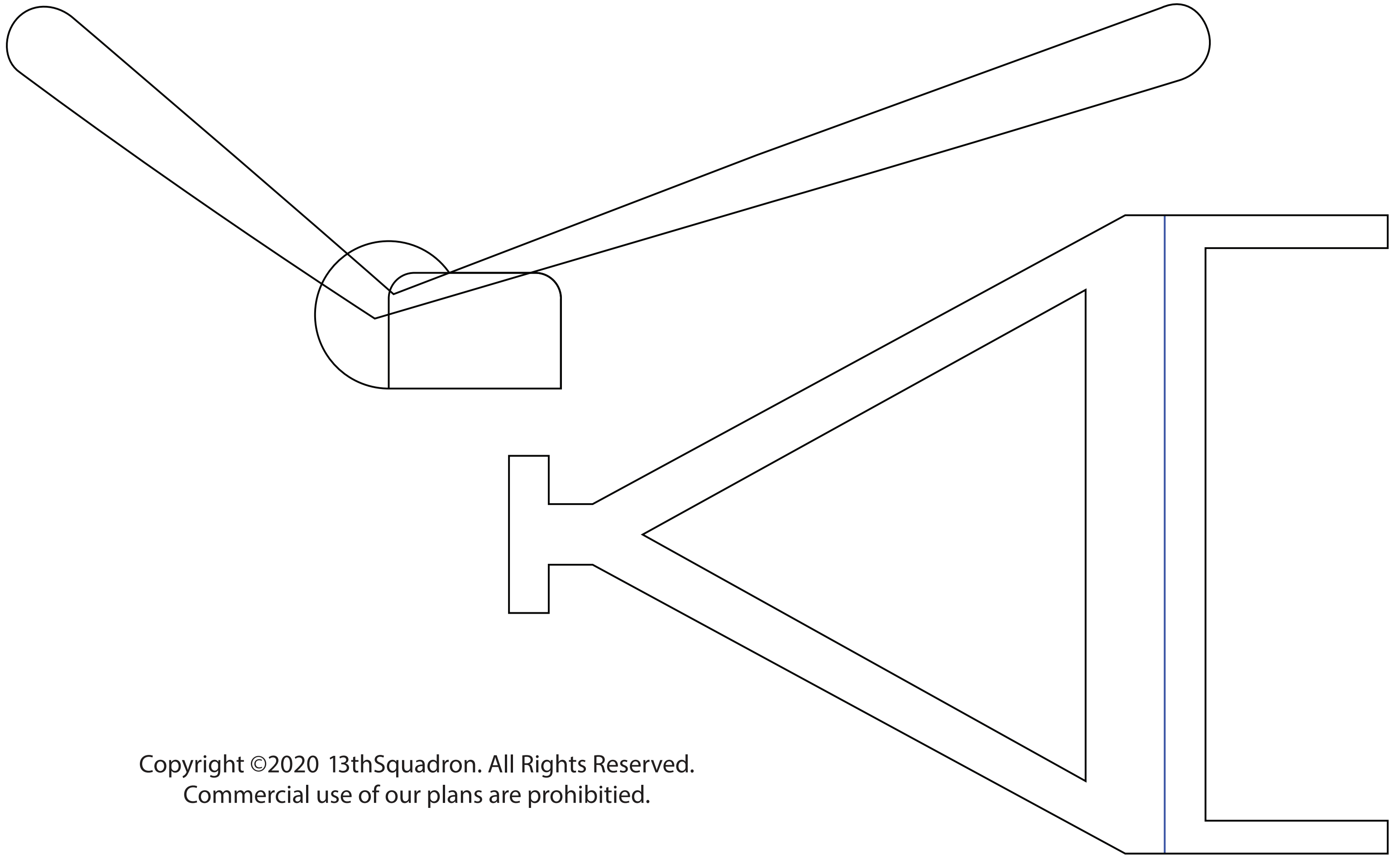




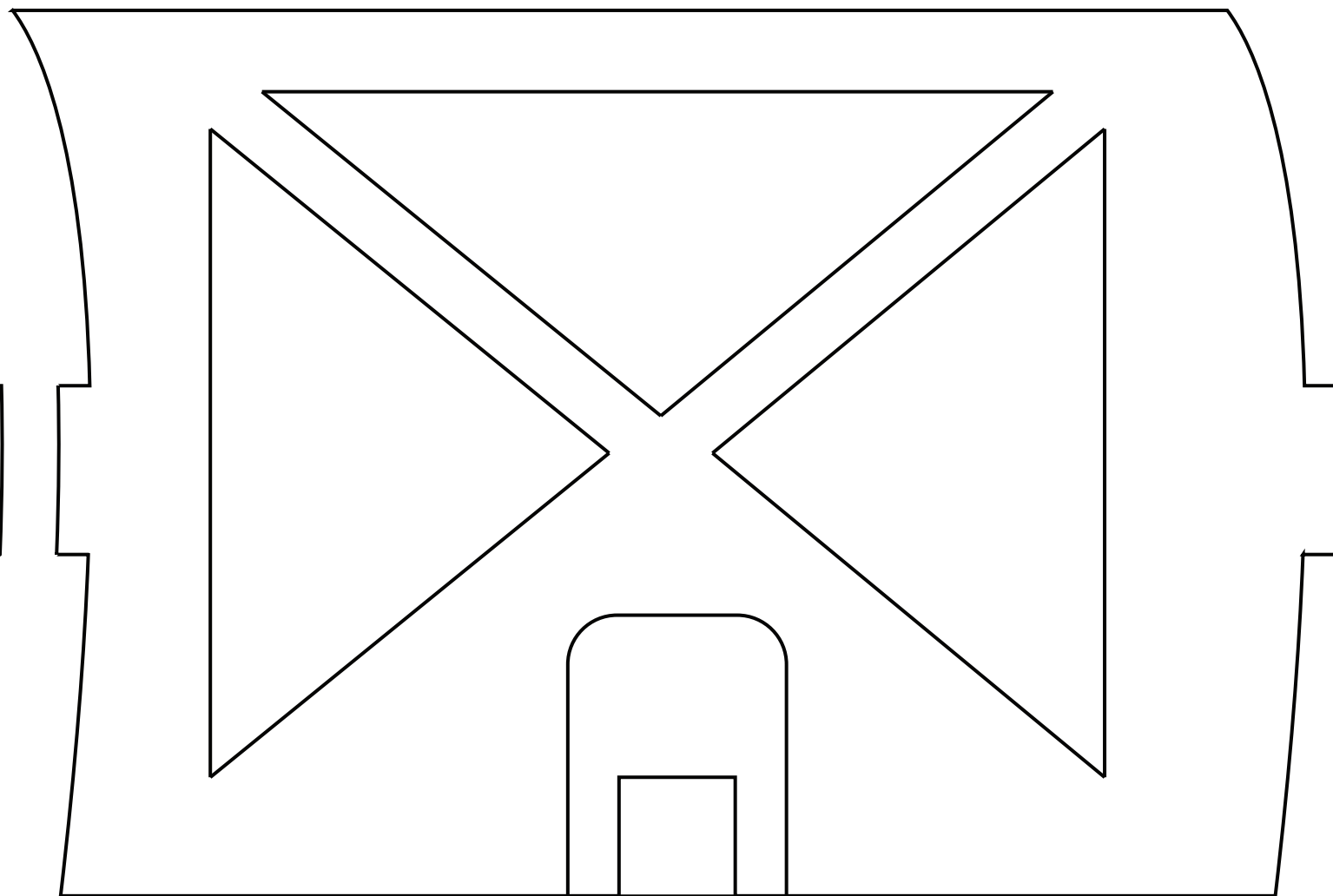
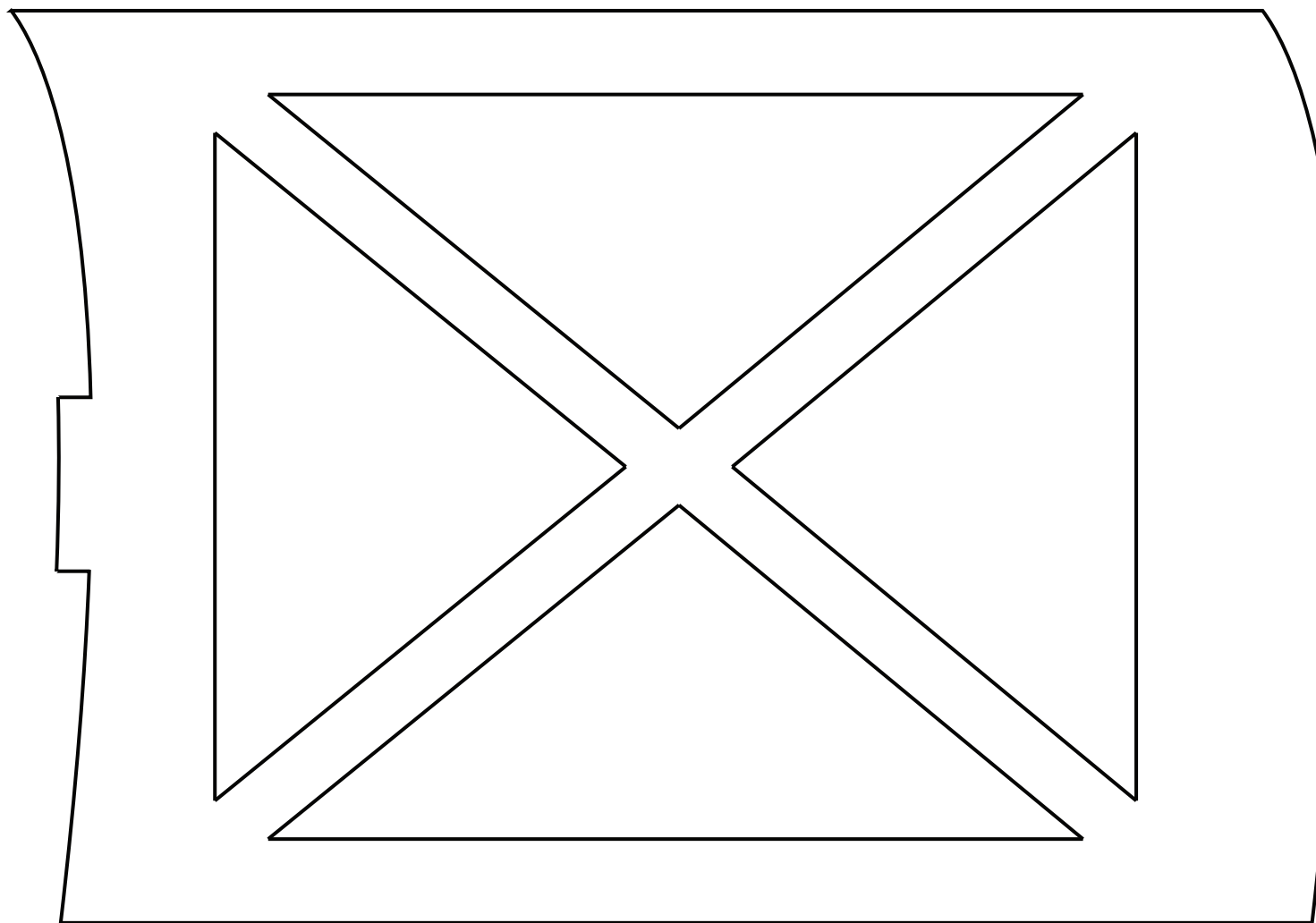
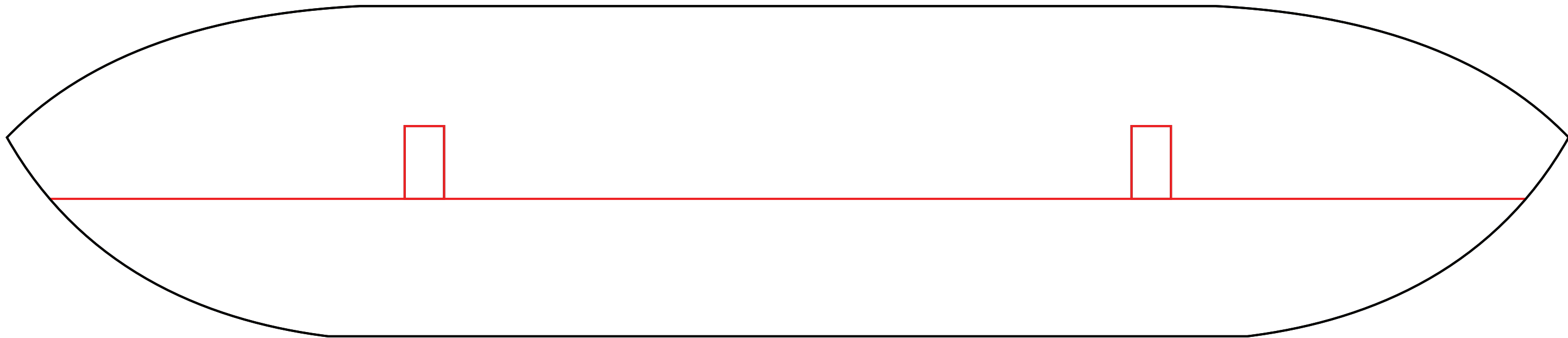
33''

50 1/2''

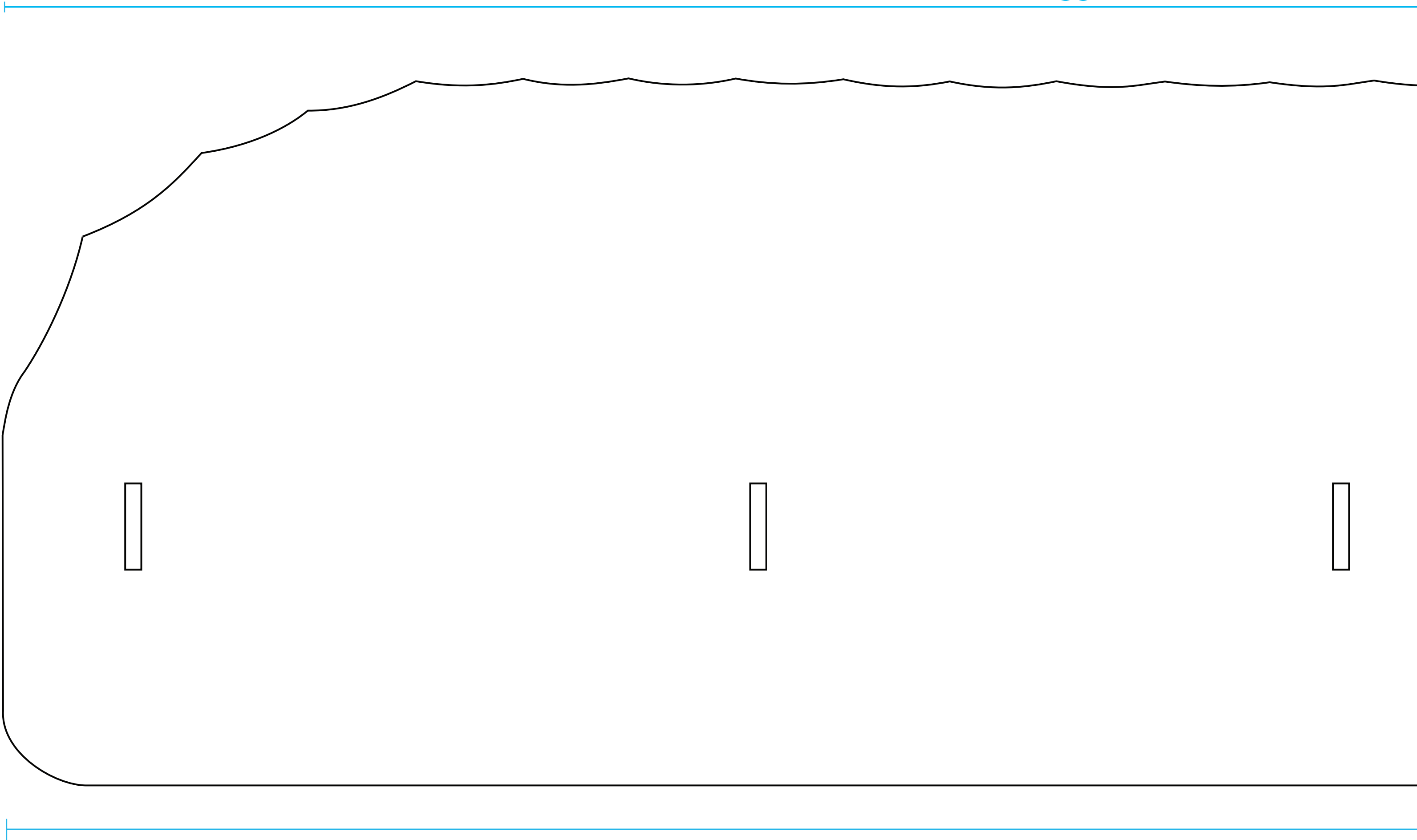


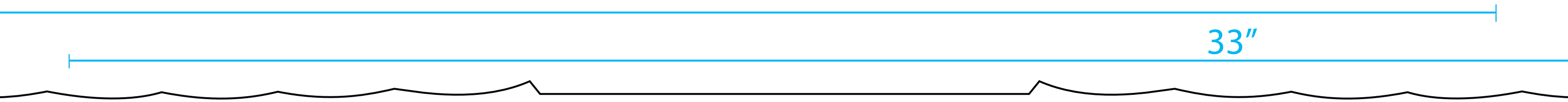


Copyright ©2020 13thSquadron. All Rights Reserved.
Commercial use of our plans are prohibited.

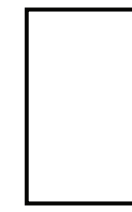


33"





33"



50 1/2"

