



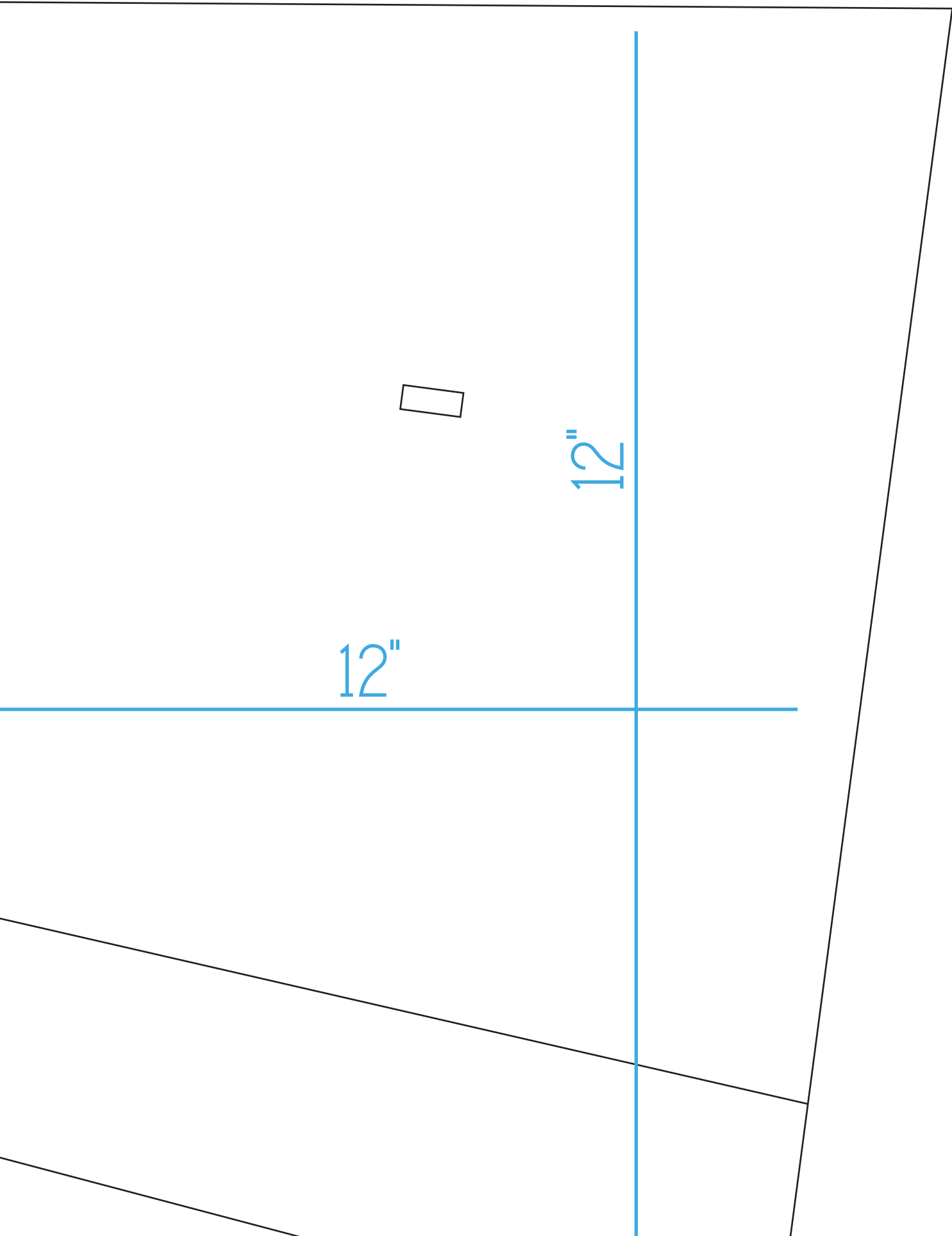
Don't peel paper in this area



12"

Peel paper in this area

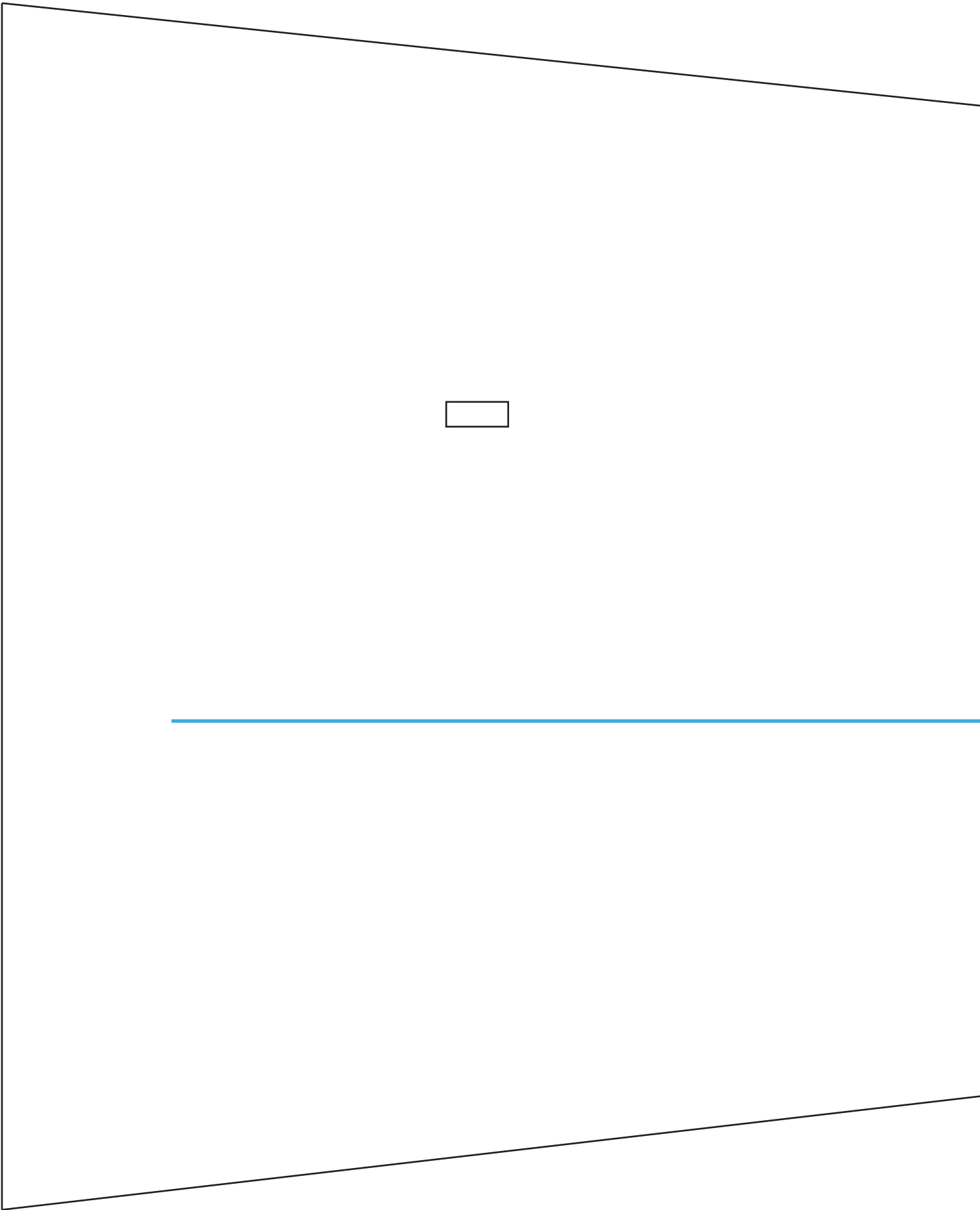
Don't peel paper in this area

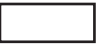
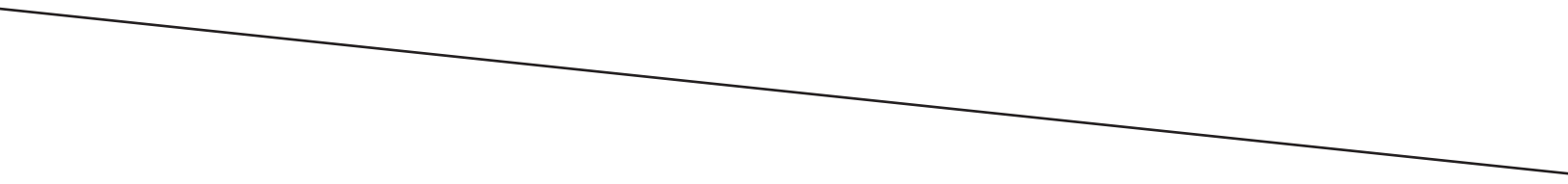


12"

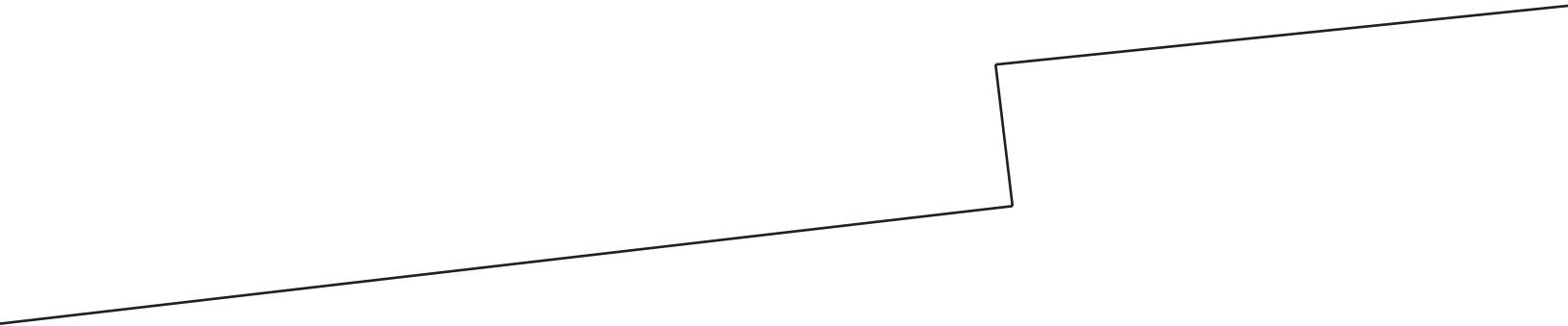
12"

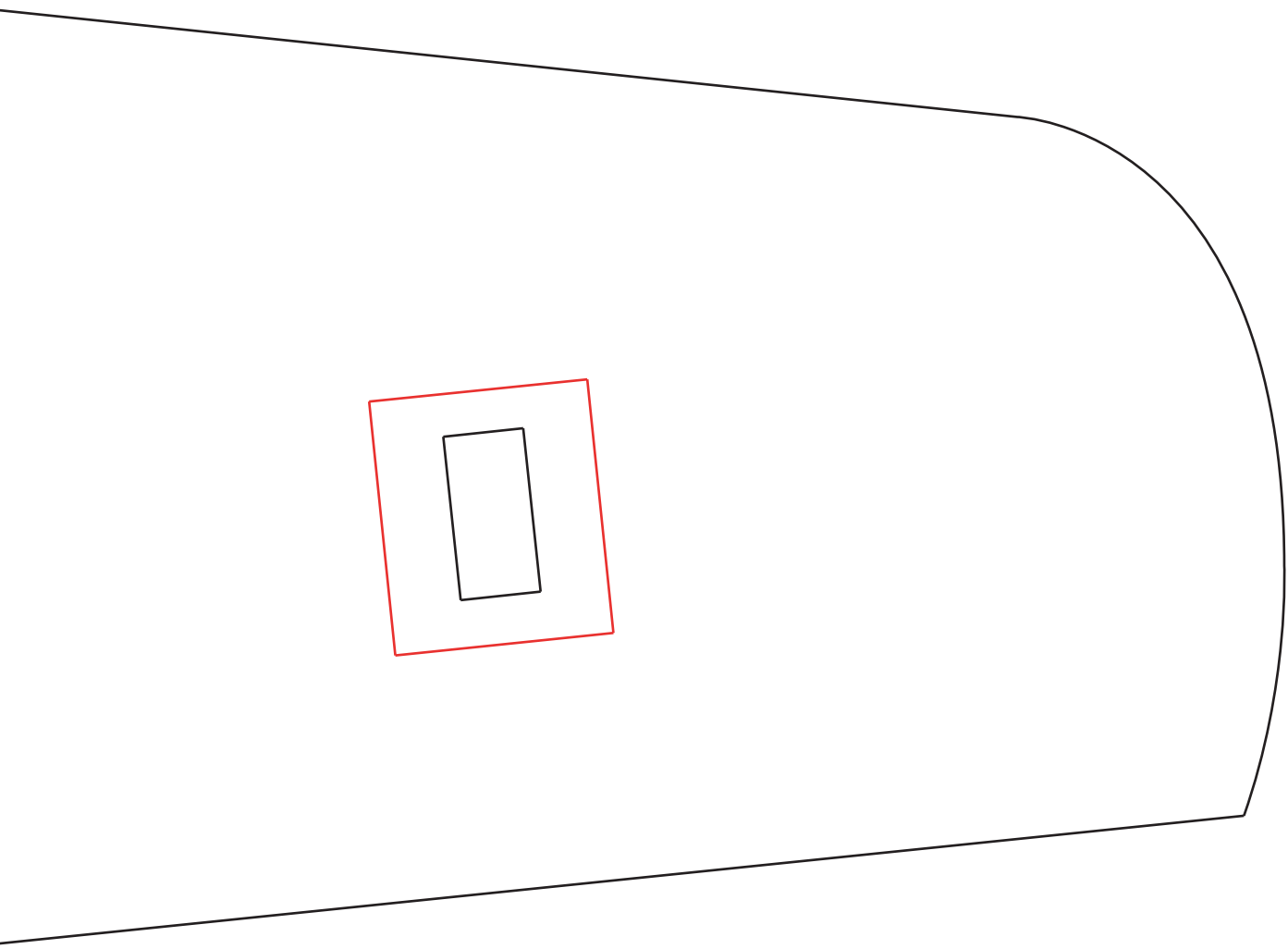




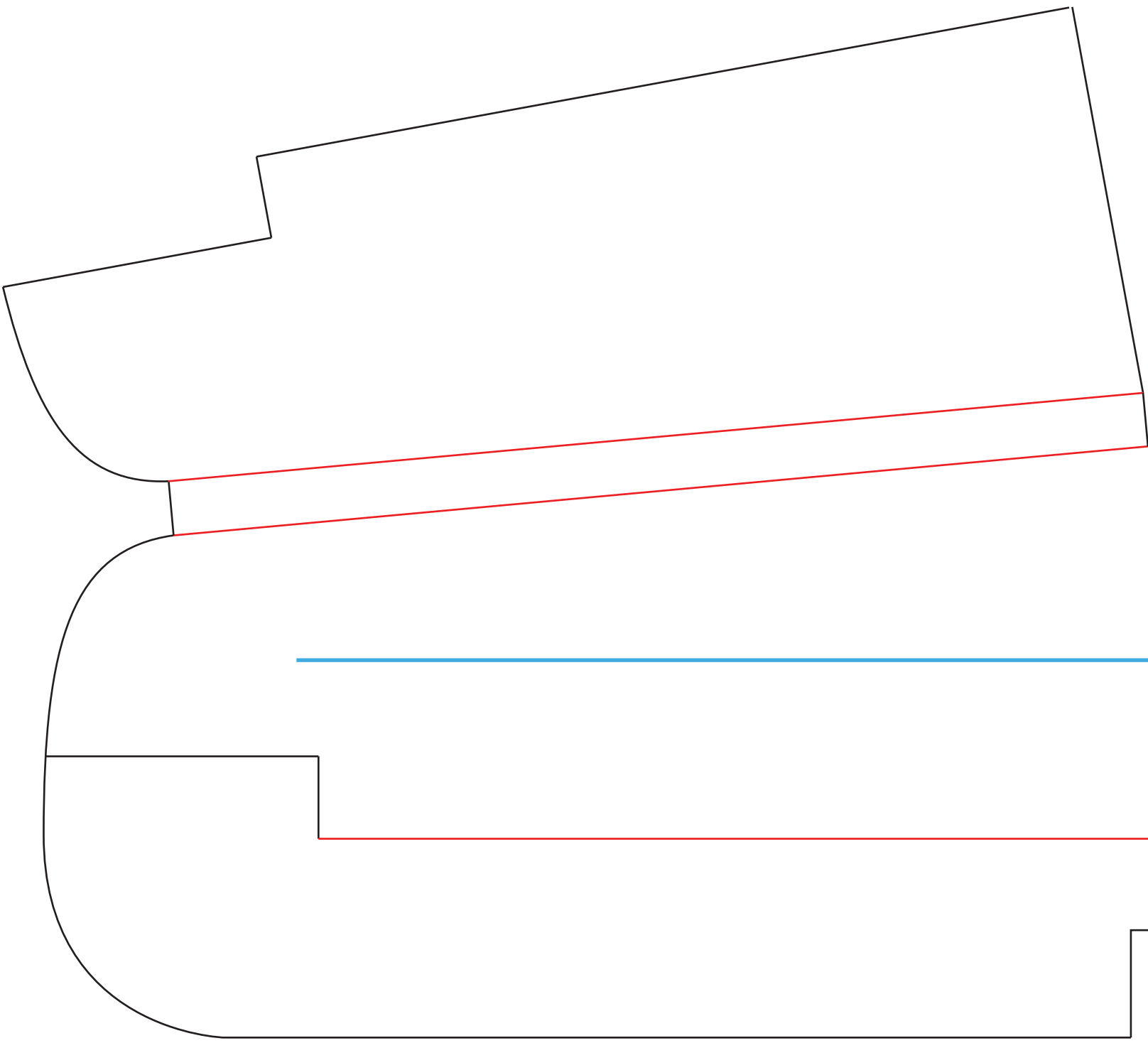


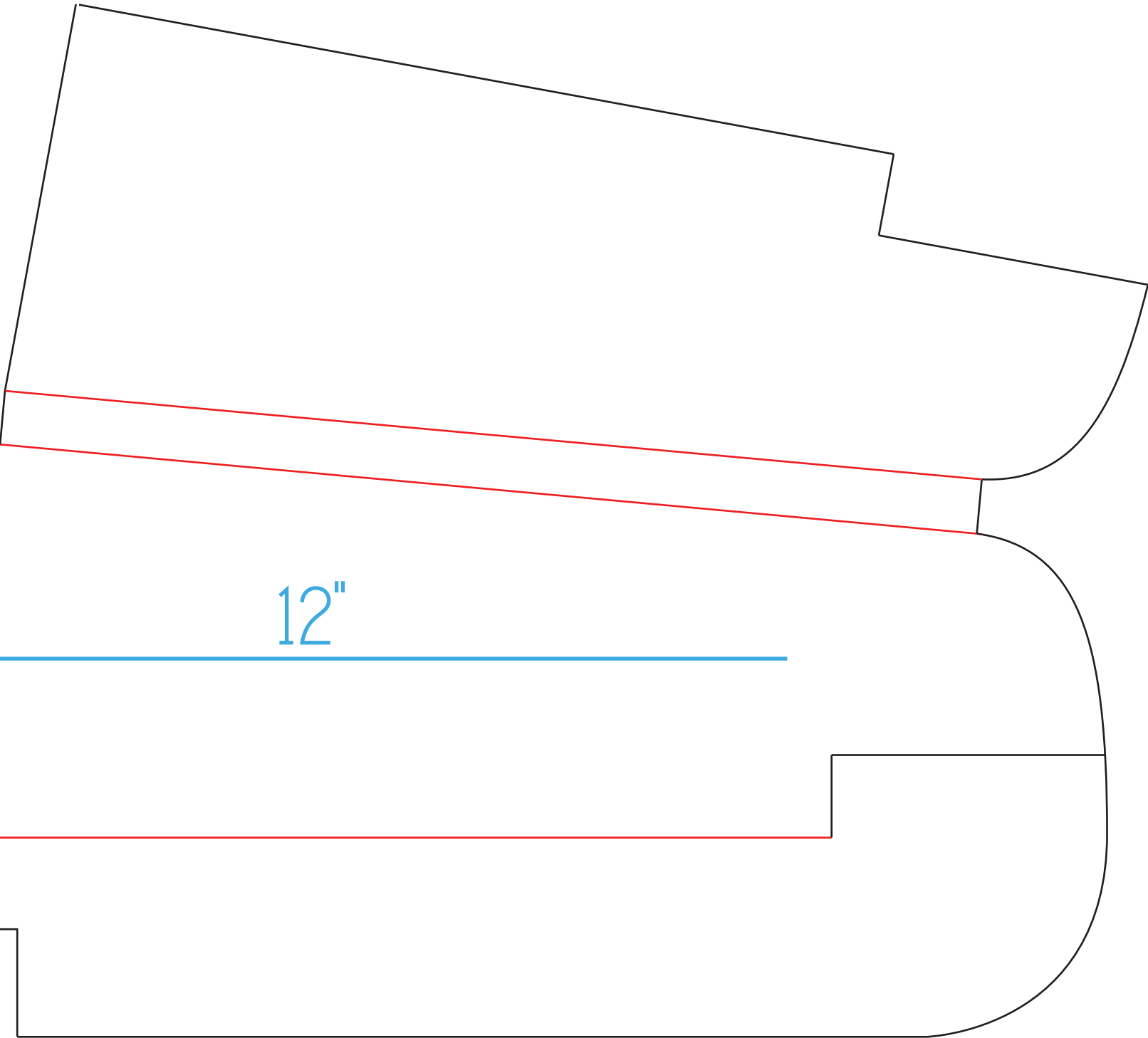
12"

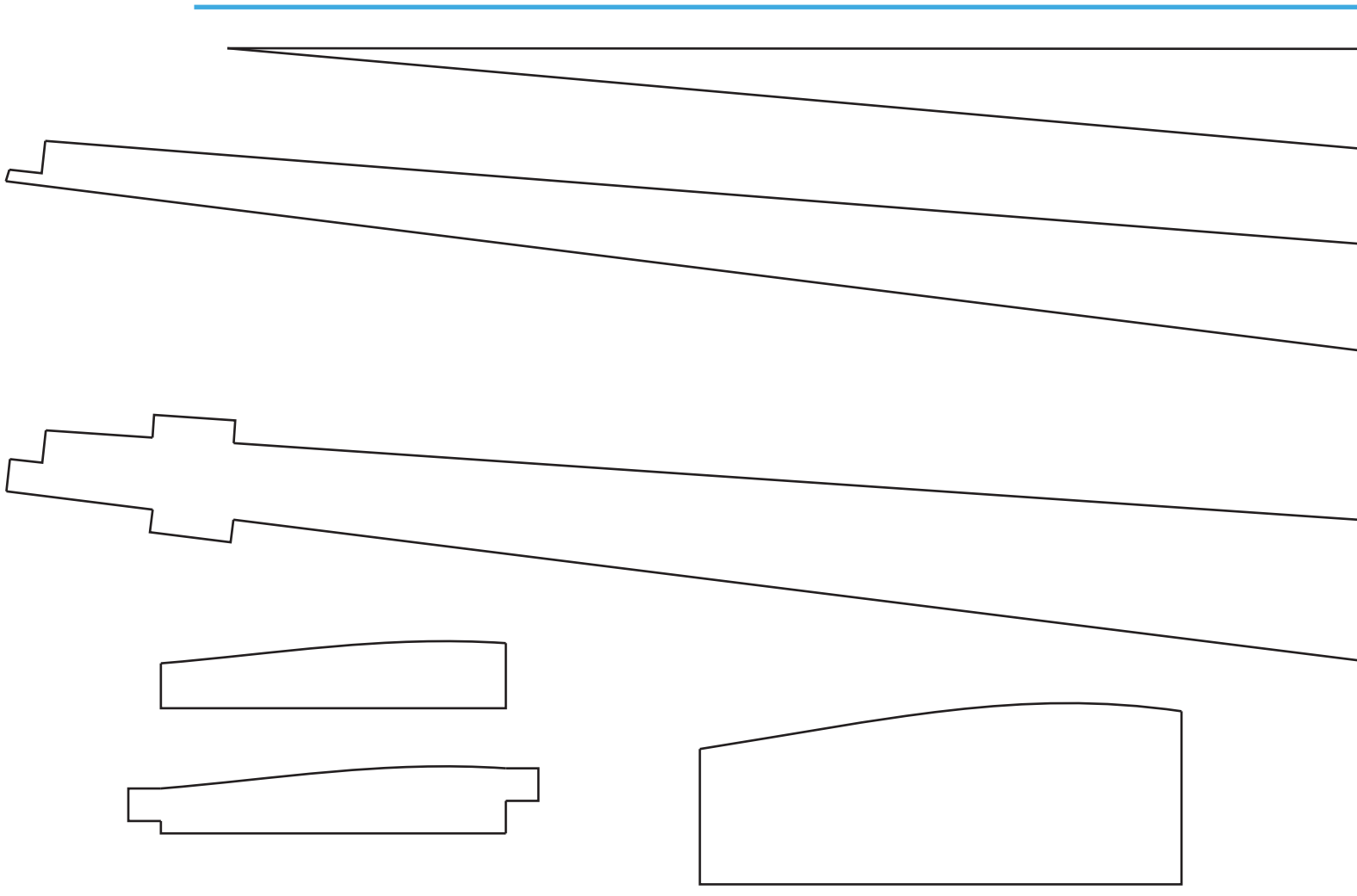




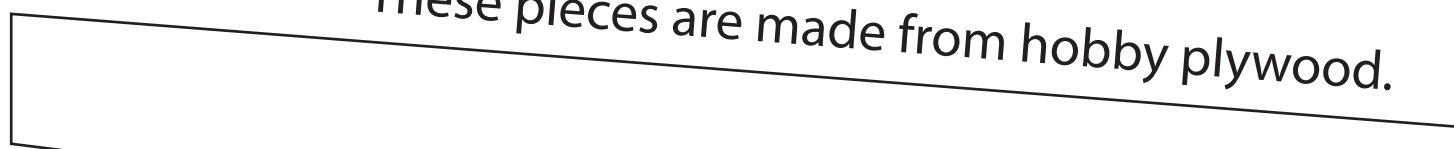
12"







These pieces are made from hobby plywood.



BACK SPAR



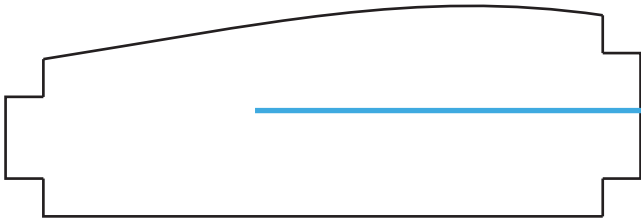
FRONT SPAR

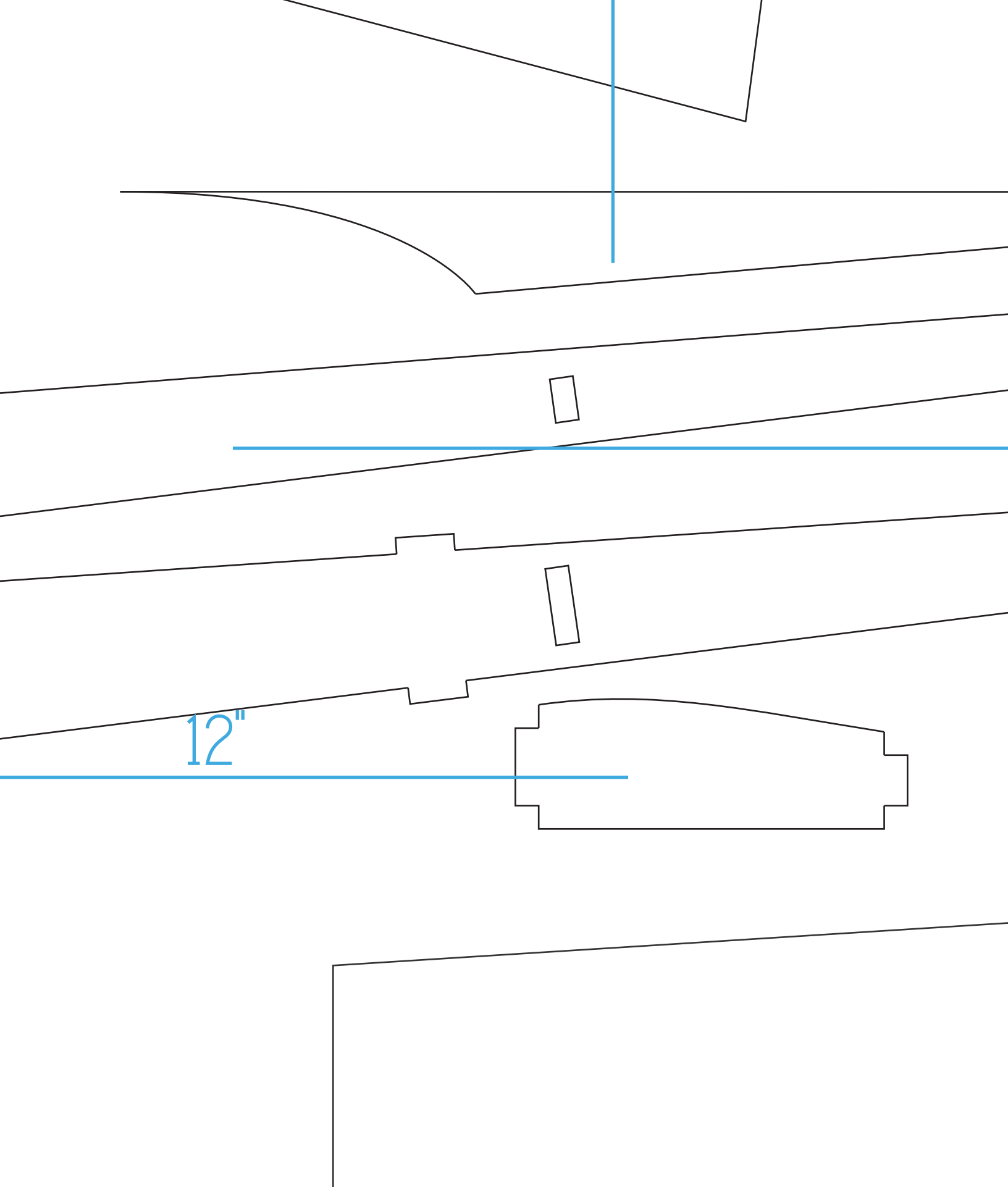
12"

Wing Fairings

BACK SPAR

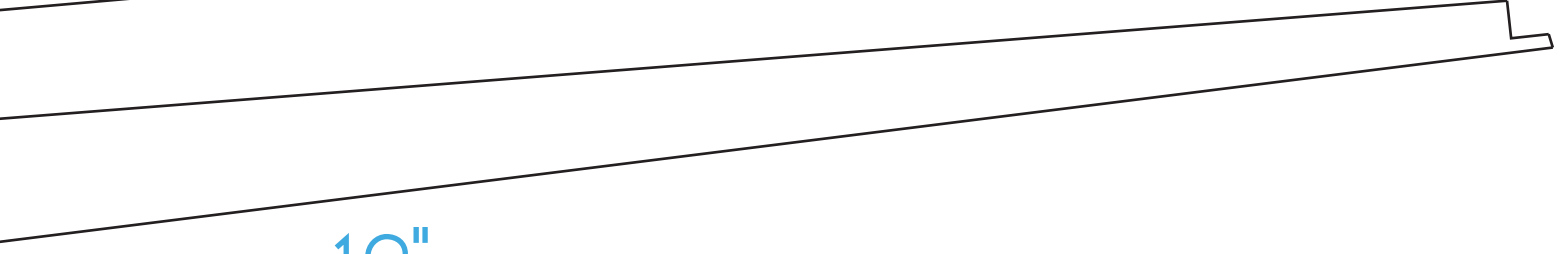
FRONT SPAR



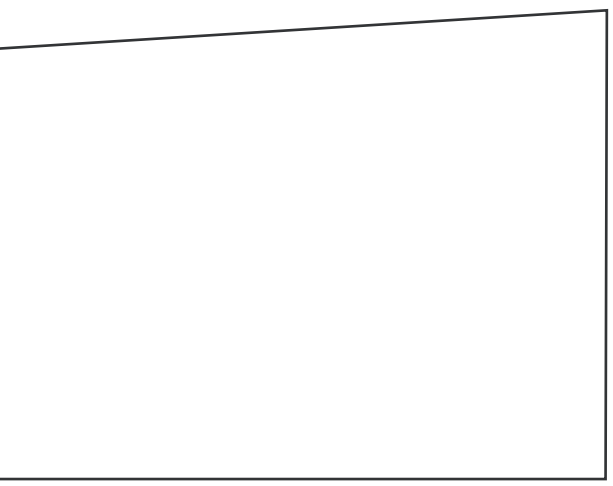
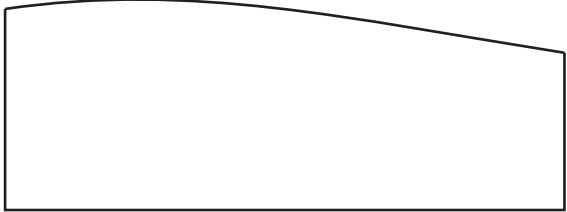


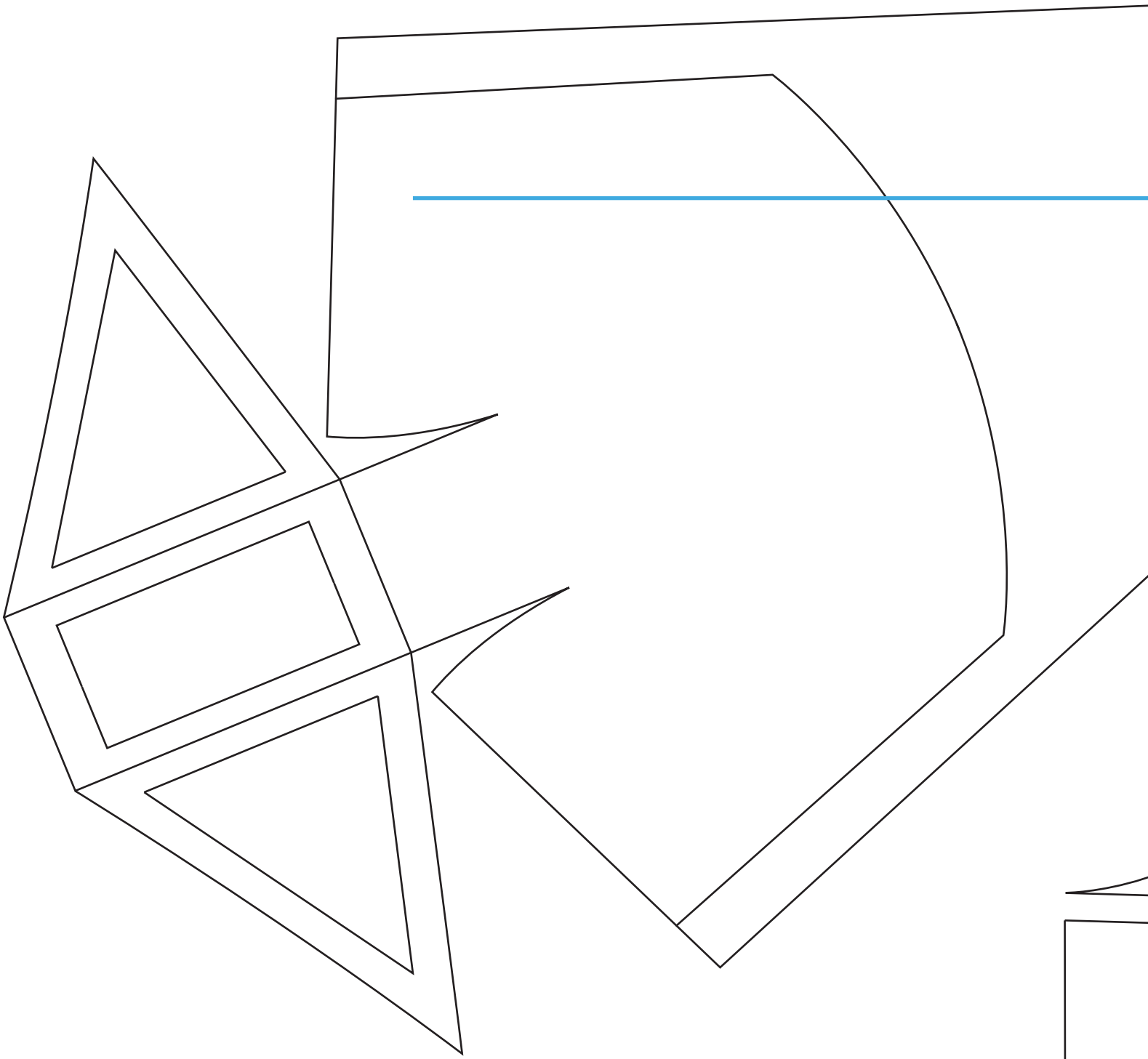
12"

This piece is for the hatch.

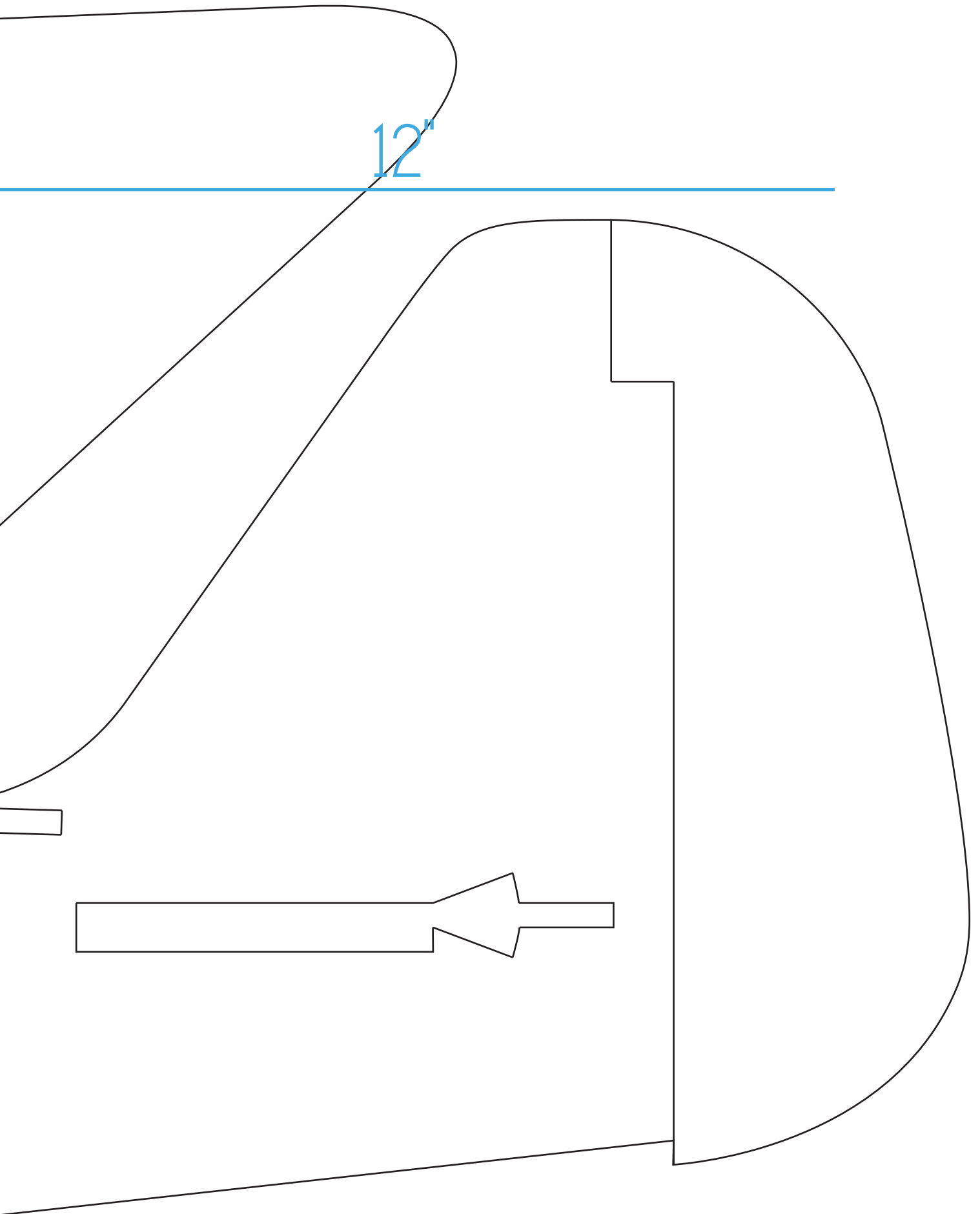


12"

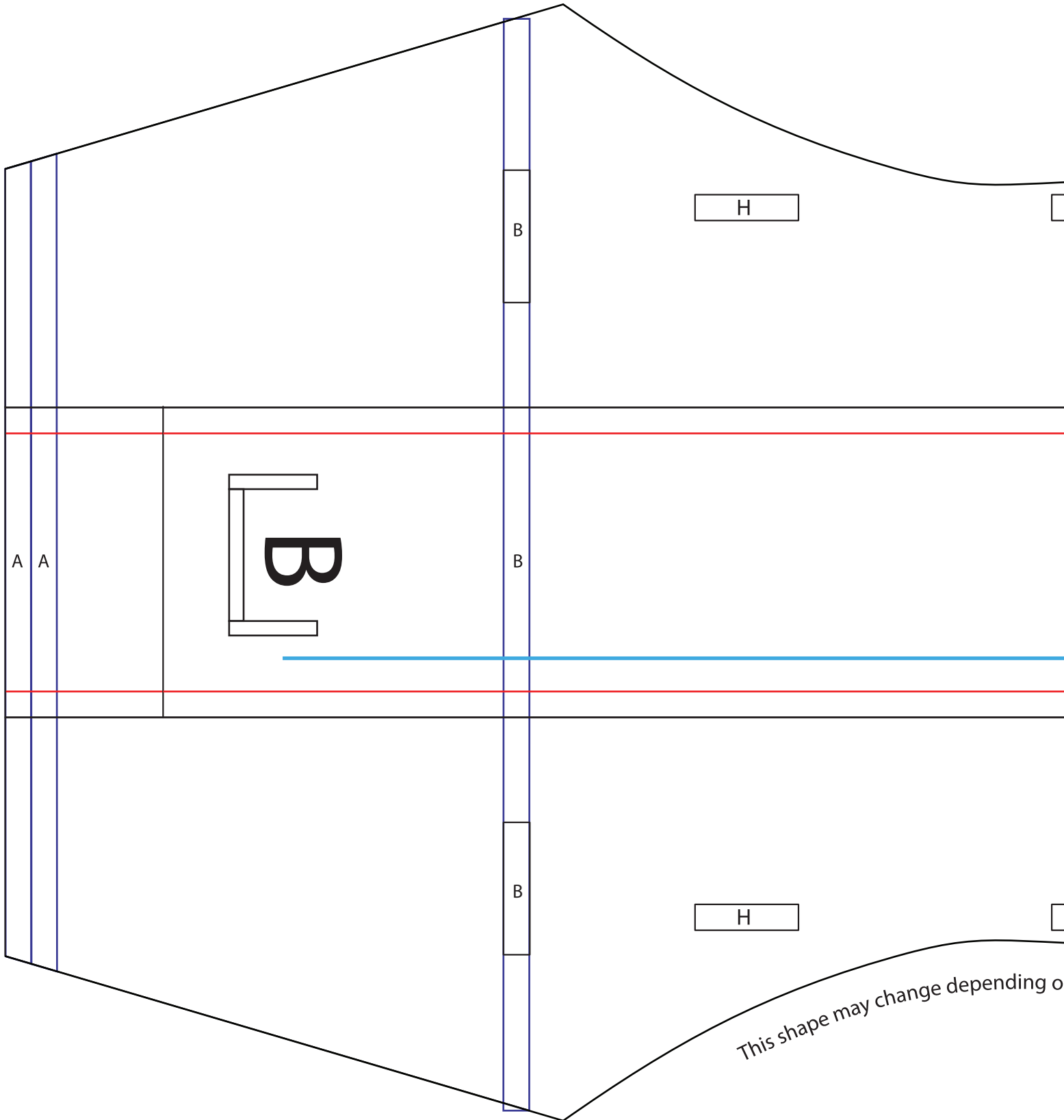




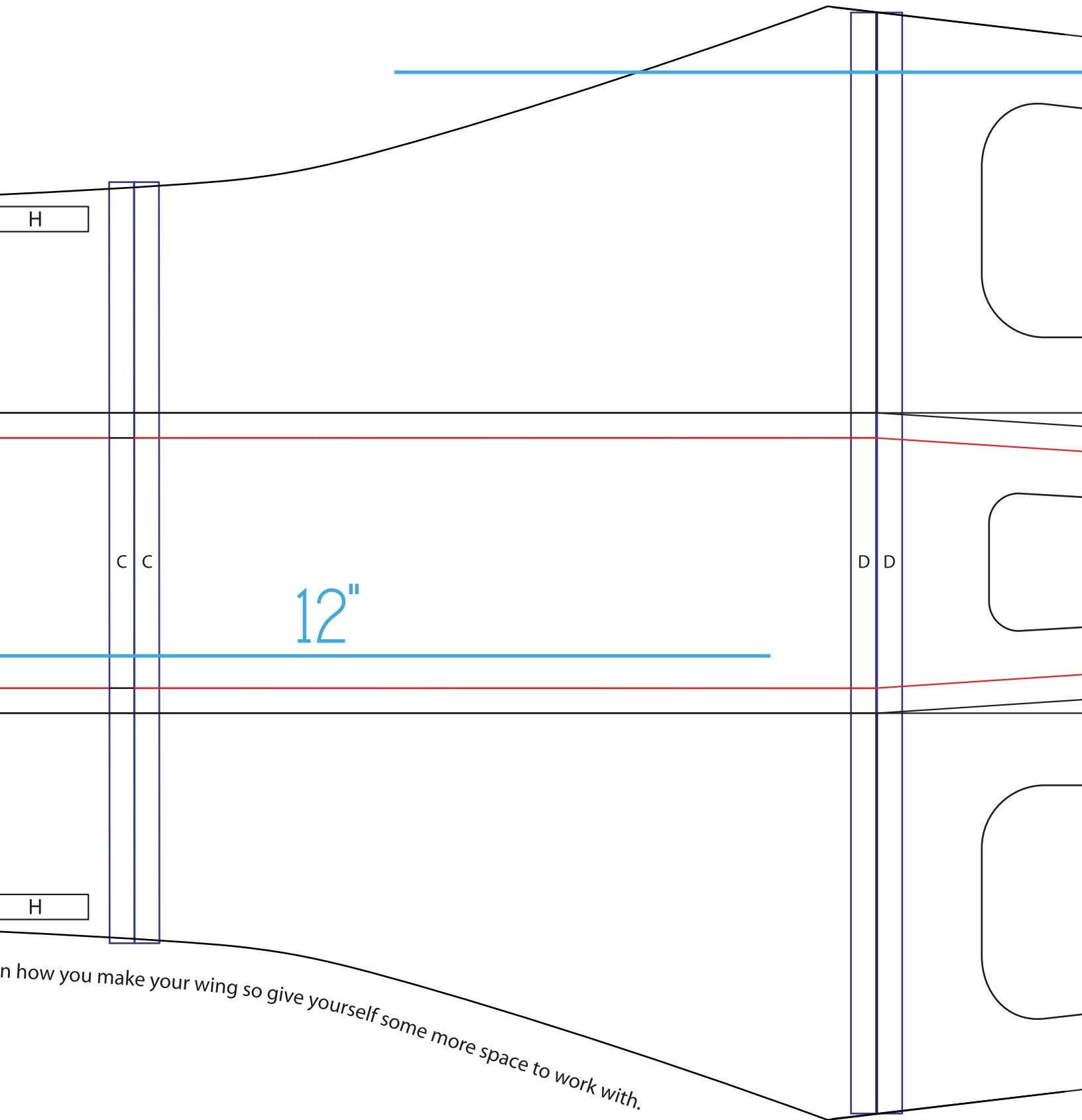
12"



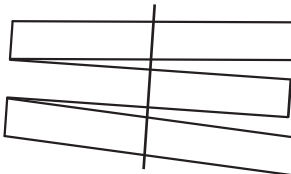
The Power Pod is the new Flite Test FT Cors



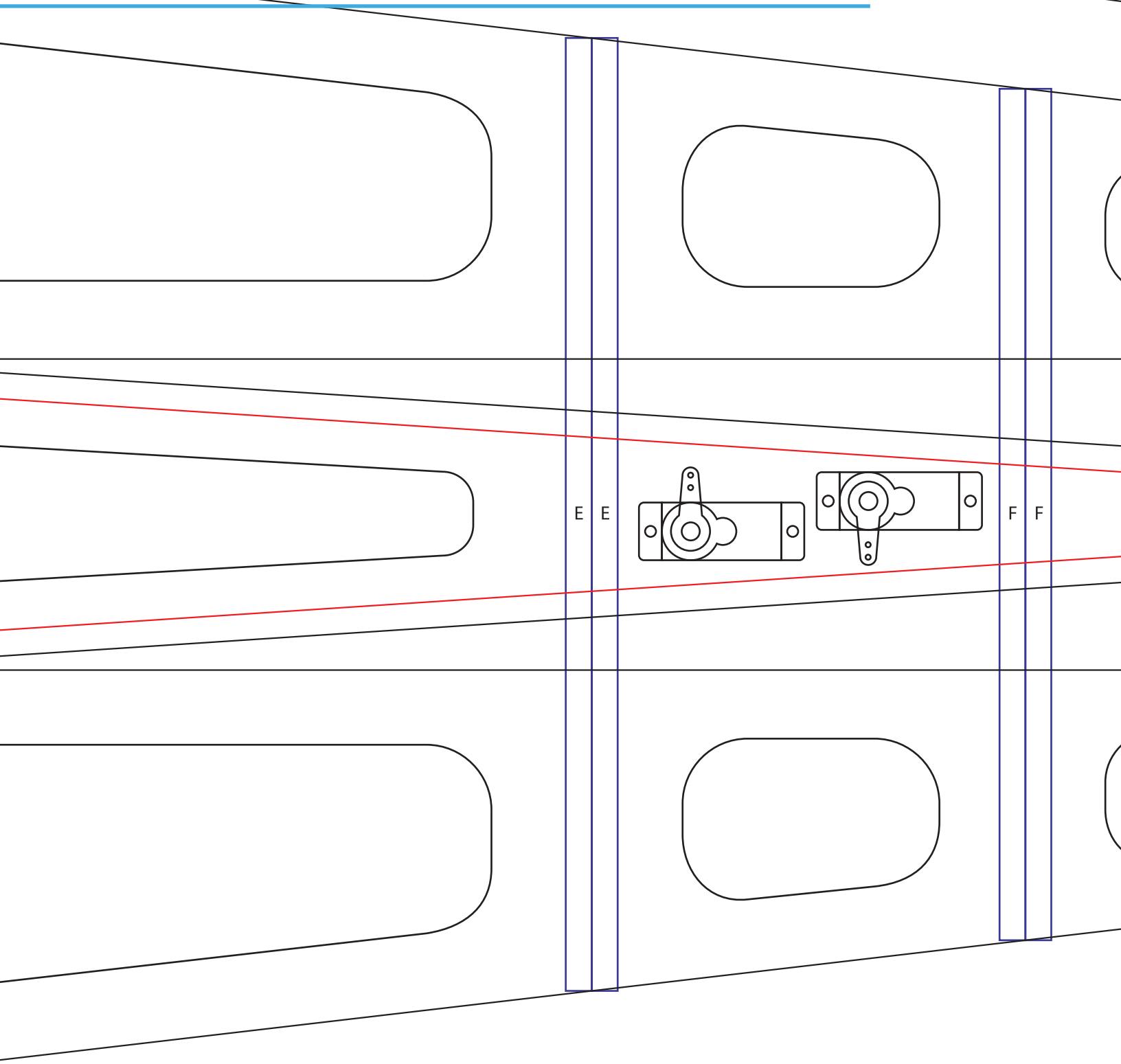
Air Power Pack



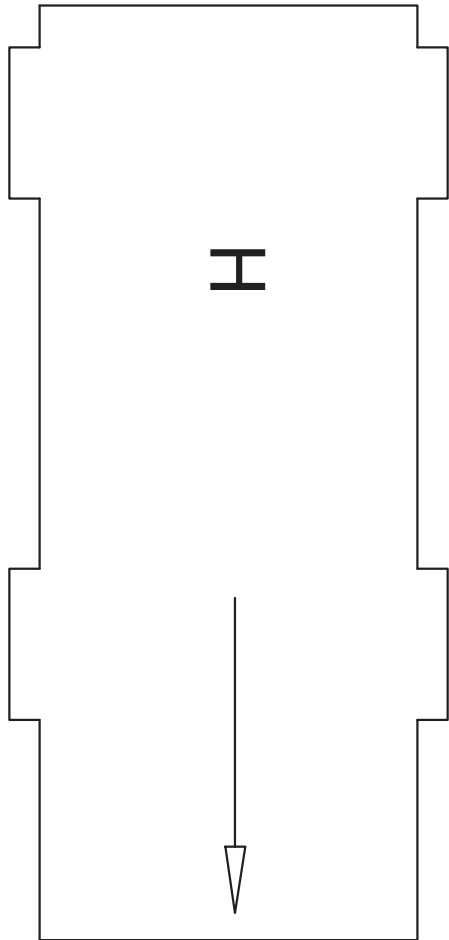
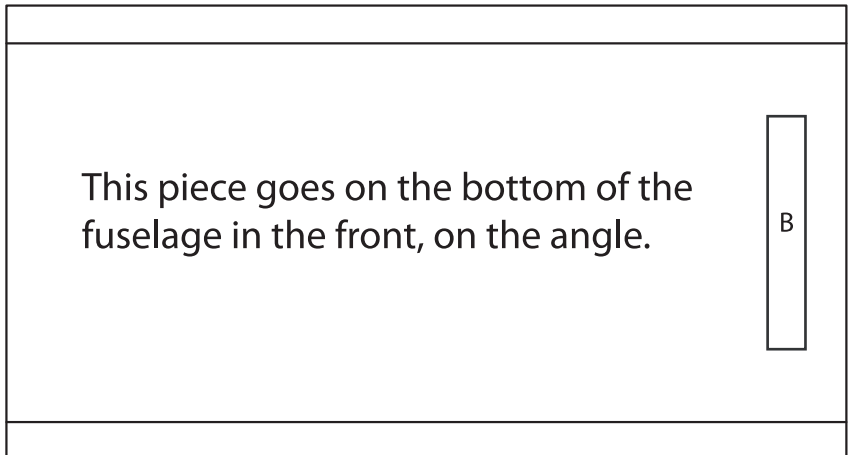
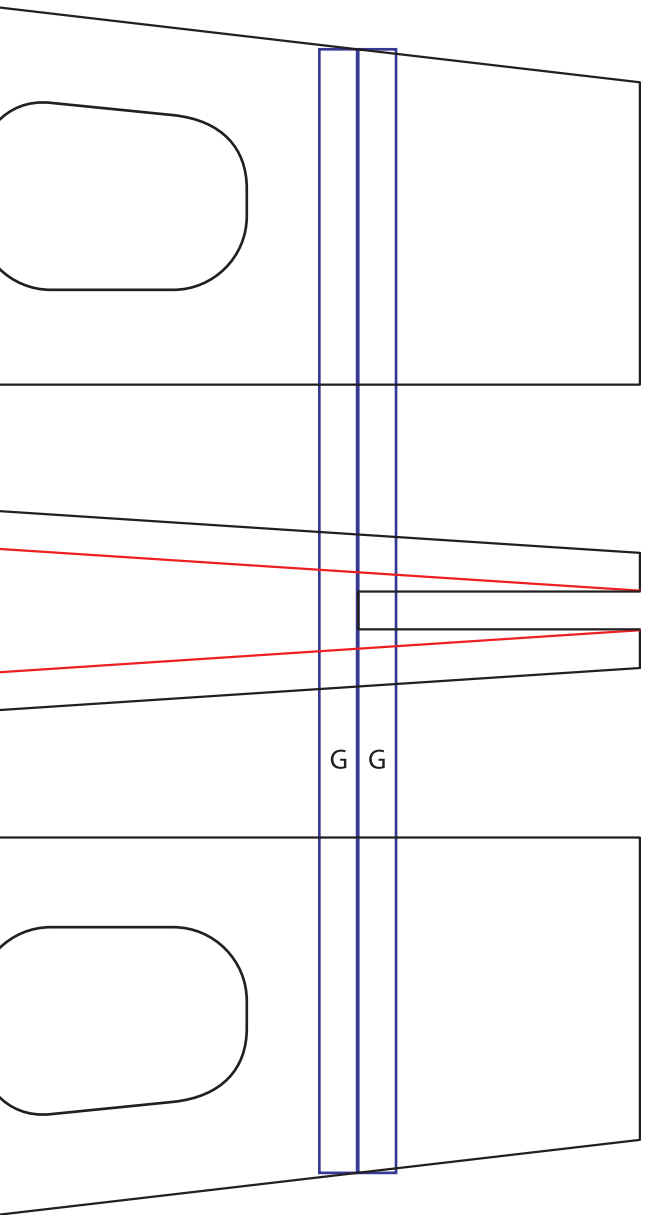
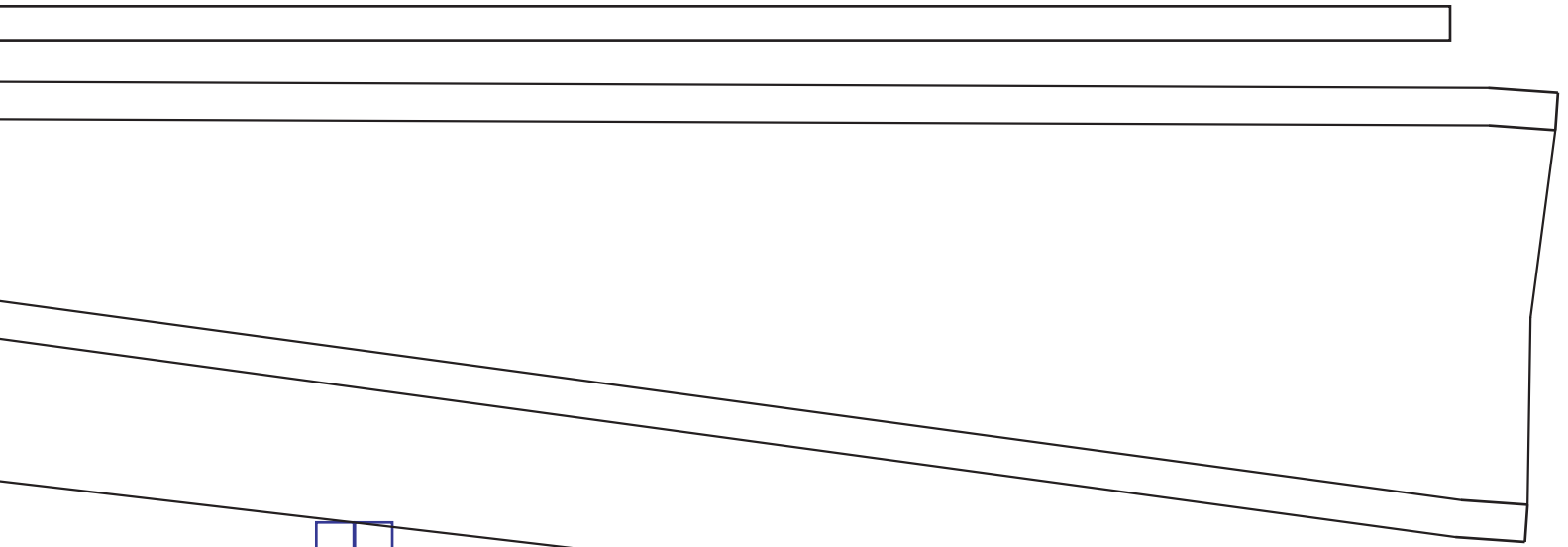
This piece goes on the bottom of the



12"



the fuselage behind the wing and to the rudder.



12"

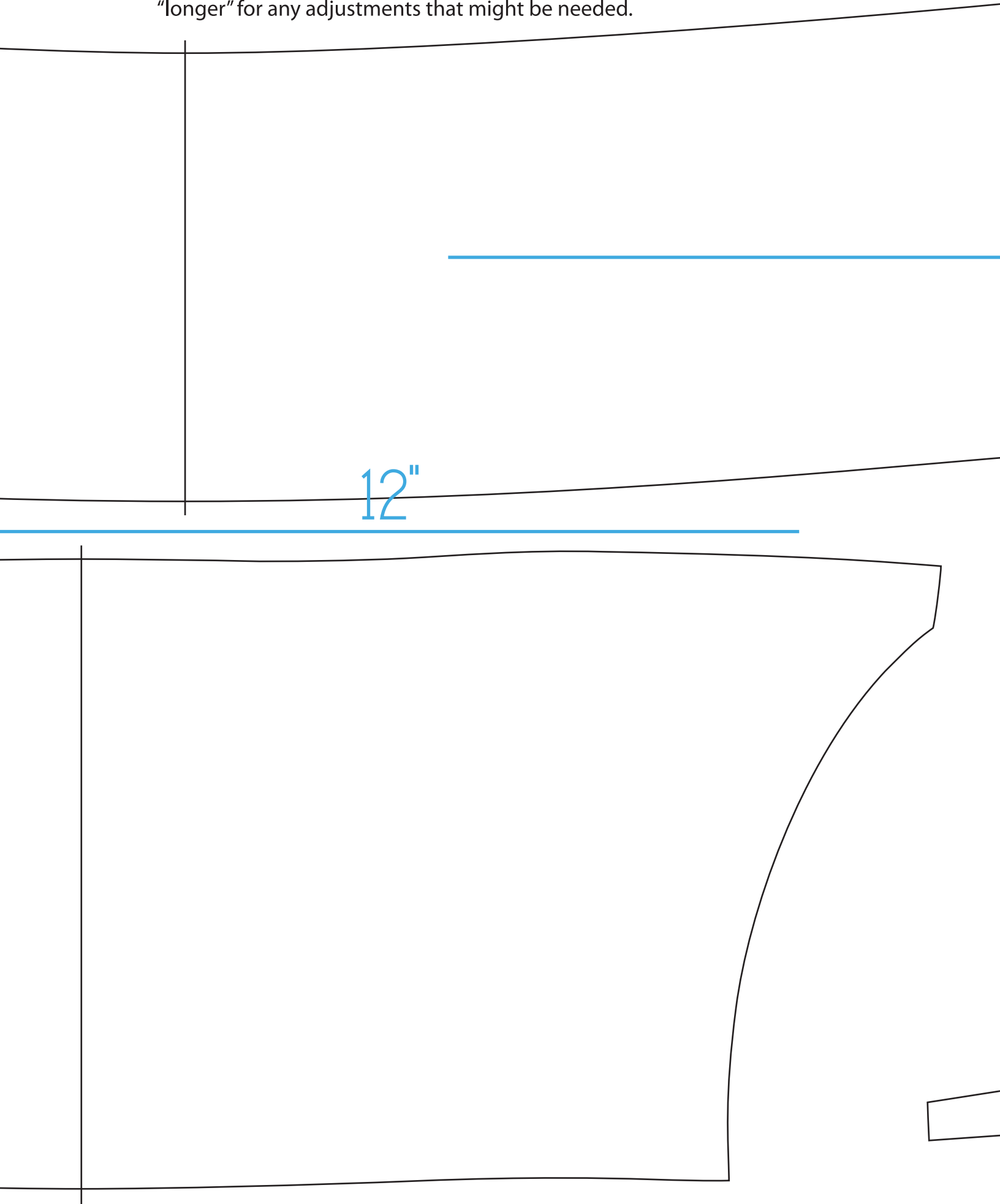


A

The diagram consists of two overlapping shapes, A and B, outlined in black. Shape A is a large, roughly rectangular shape with a slightly curved top edge and a small notch on its left side. Shape B is a smaller, more irregular shape with a curved left edge and a small notch on its top edge. A horizontal blue line is drawn between the two shapes, positioned between the notch of shape A and the top edge of shape B.

B

You might want to cut the length of the fuselage covering pieces a little "longer" for any adjustments that might be needed.

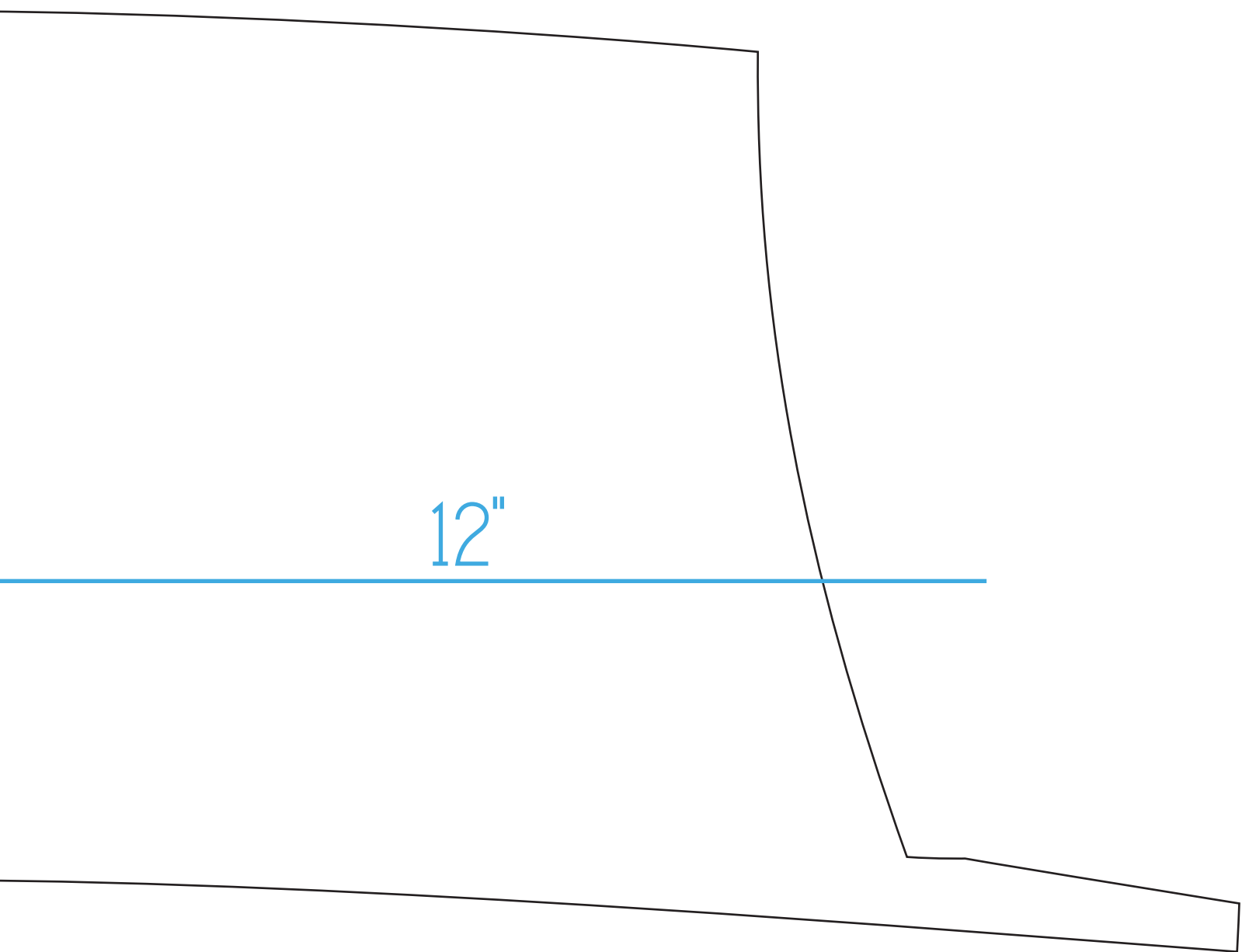


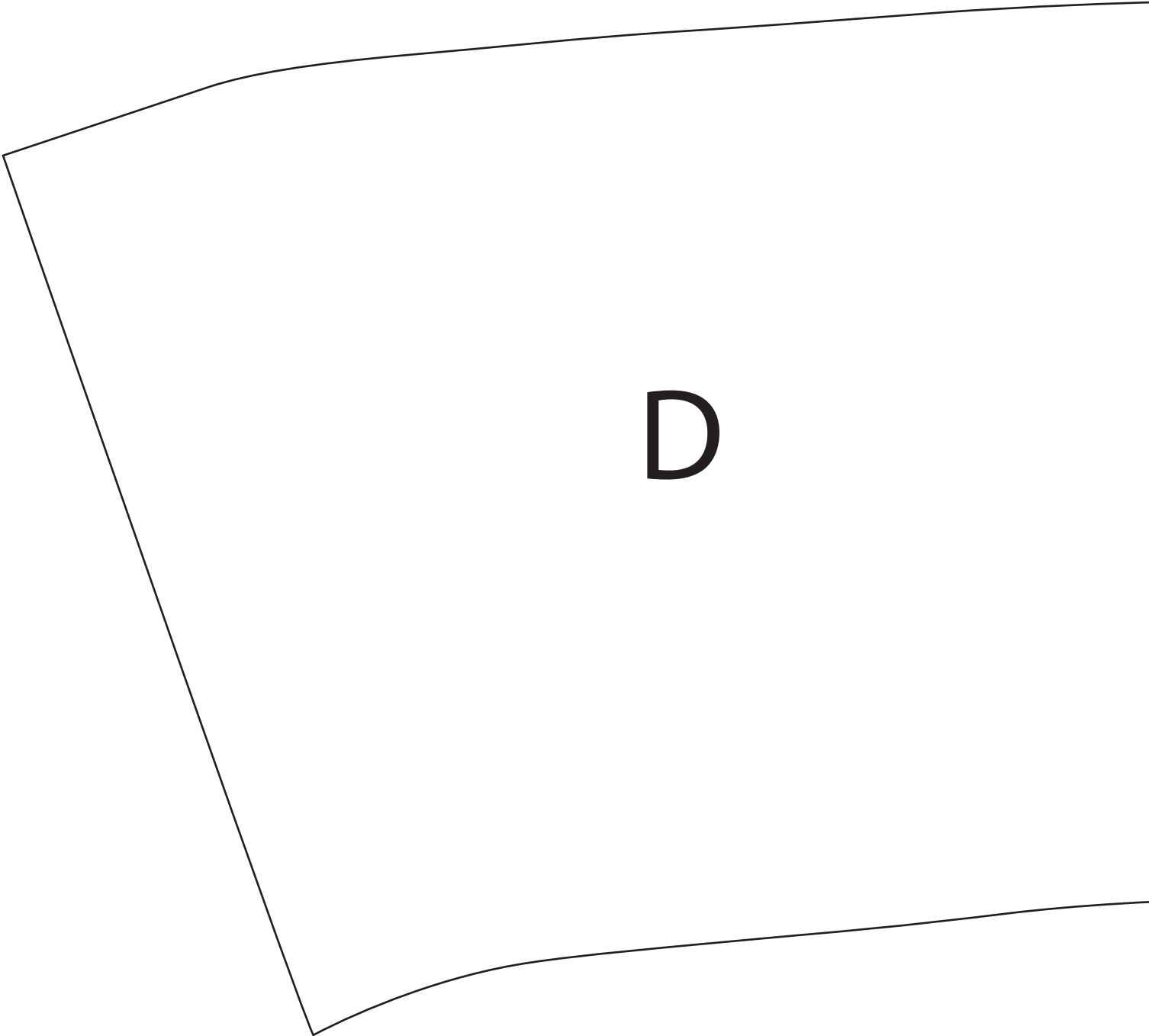


12"

The image shows a technical drawing of a mechanical part. A horizontal blue dimension line is drawn across the top of the part, with the text "12\"" centered above it. Below this, the main body of the part is shown. A horizontal blue dimension line is drawn across the lower part of the main body. A vertical black line is drawn on the right side of the main body. The letter "C" is placed in the center of the main body. The drawing is composed of black lines on a white background.

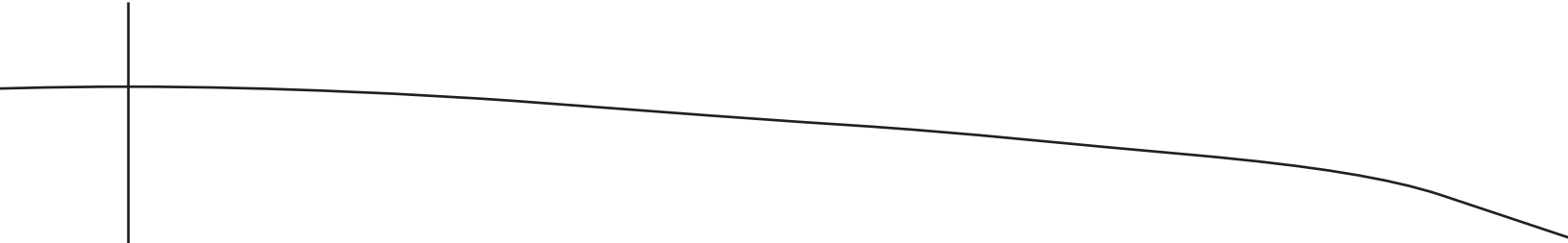
C

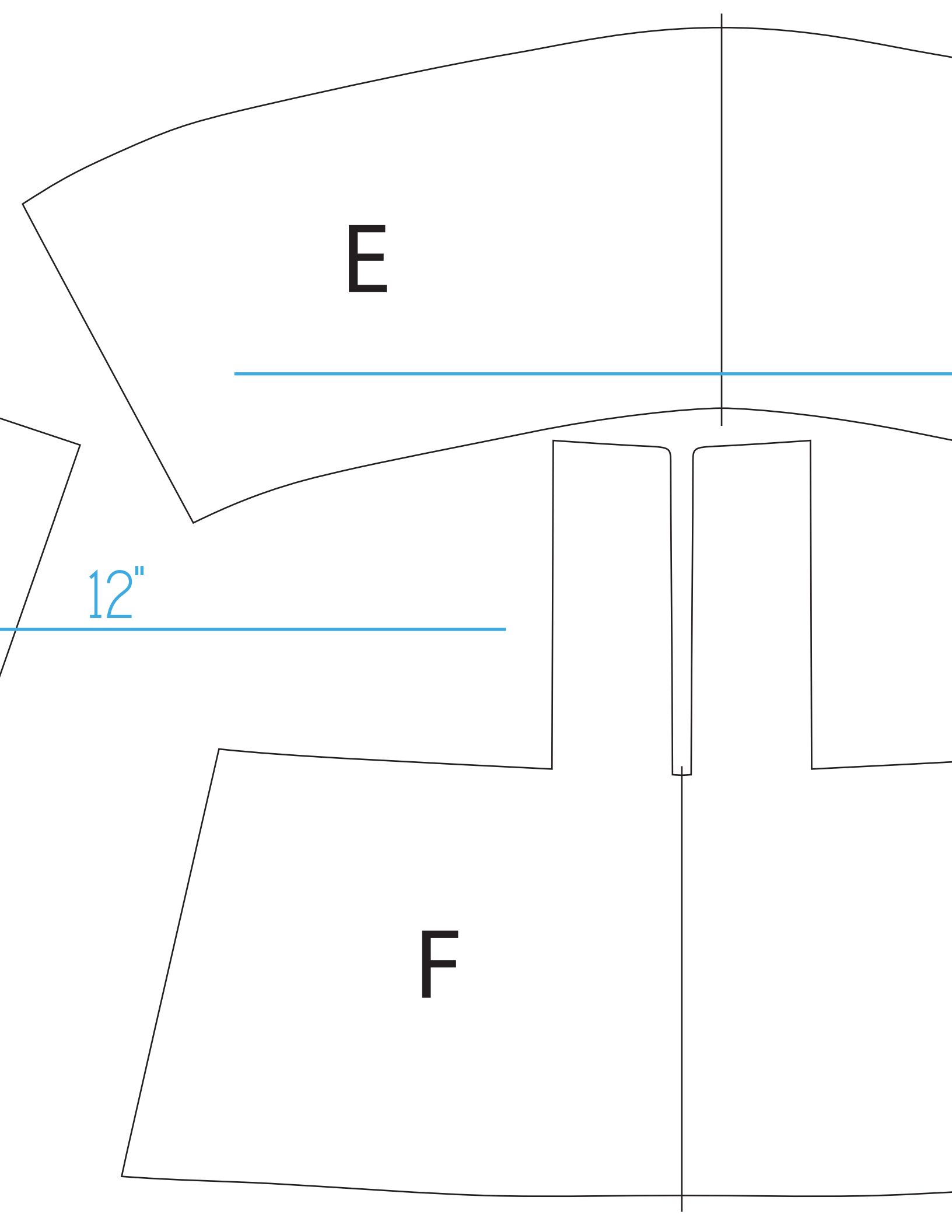




D

12"





E

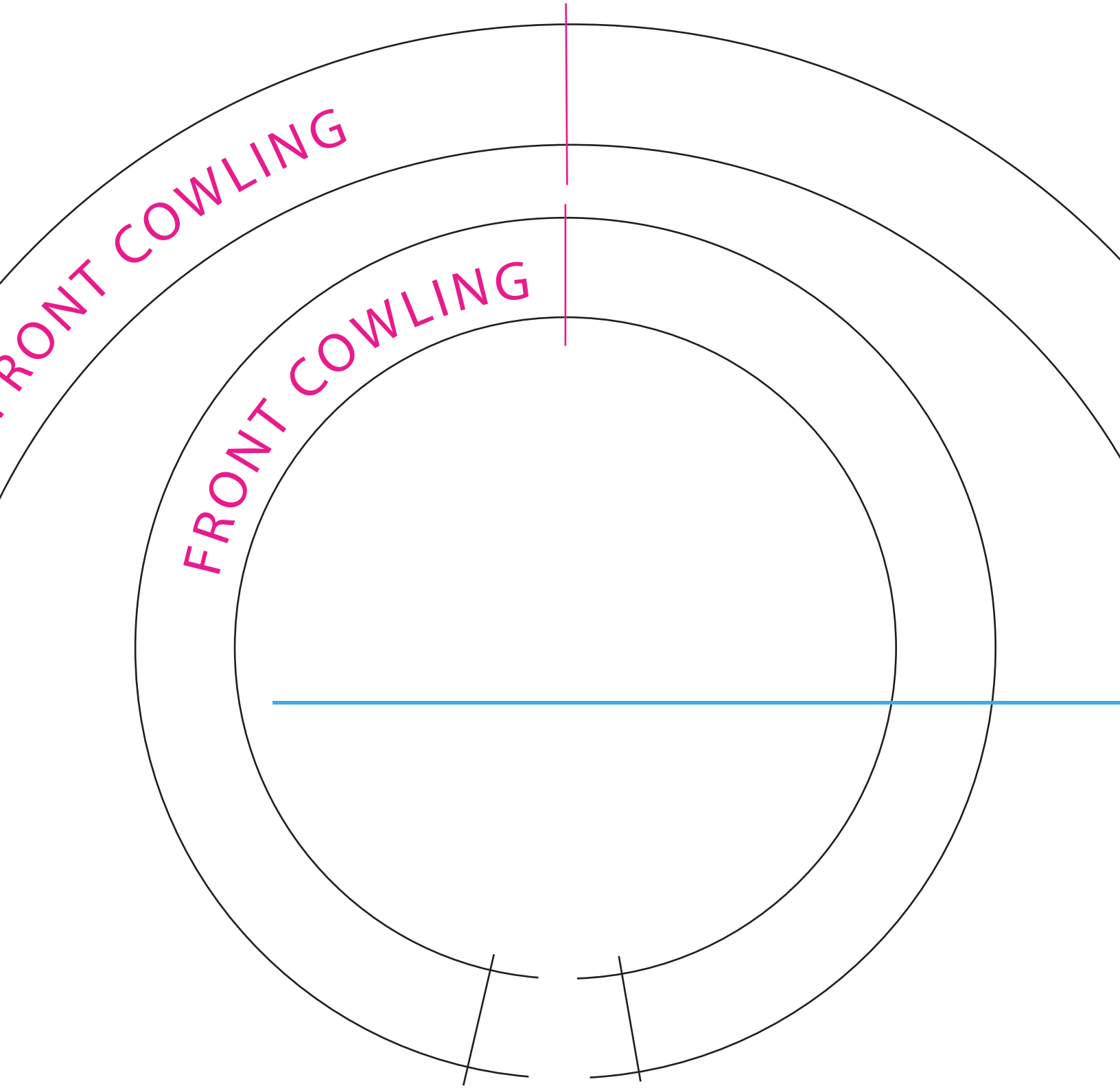
12"

F

12"

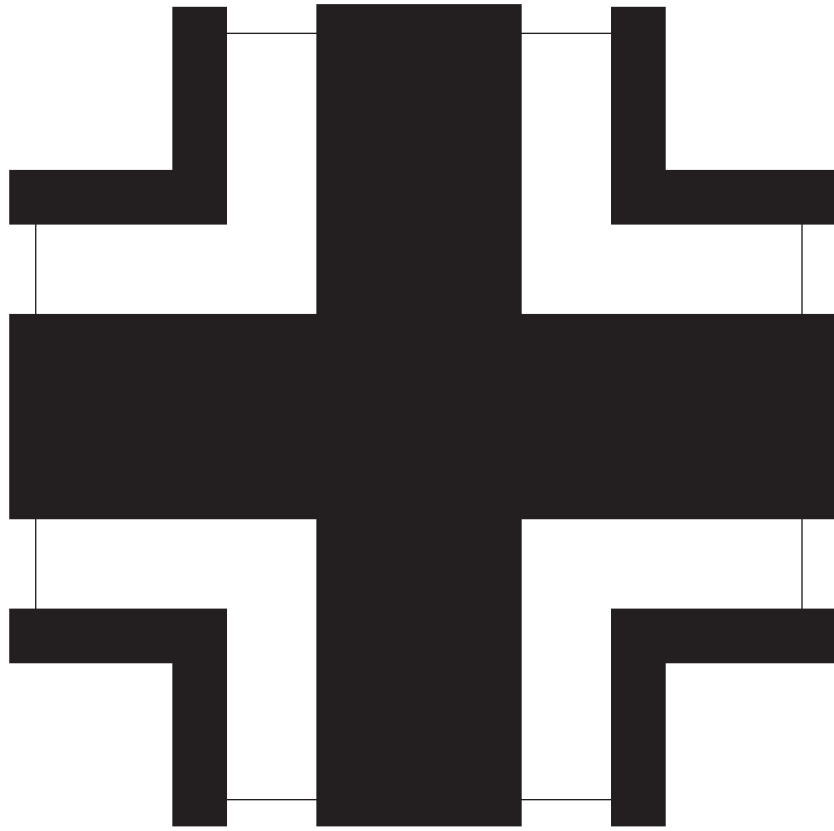
G

EP

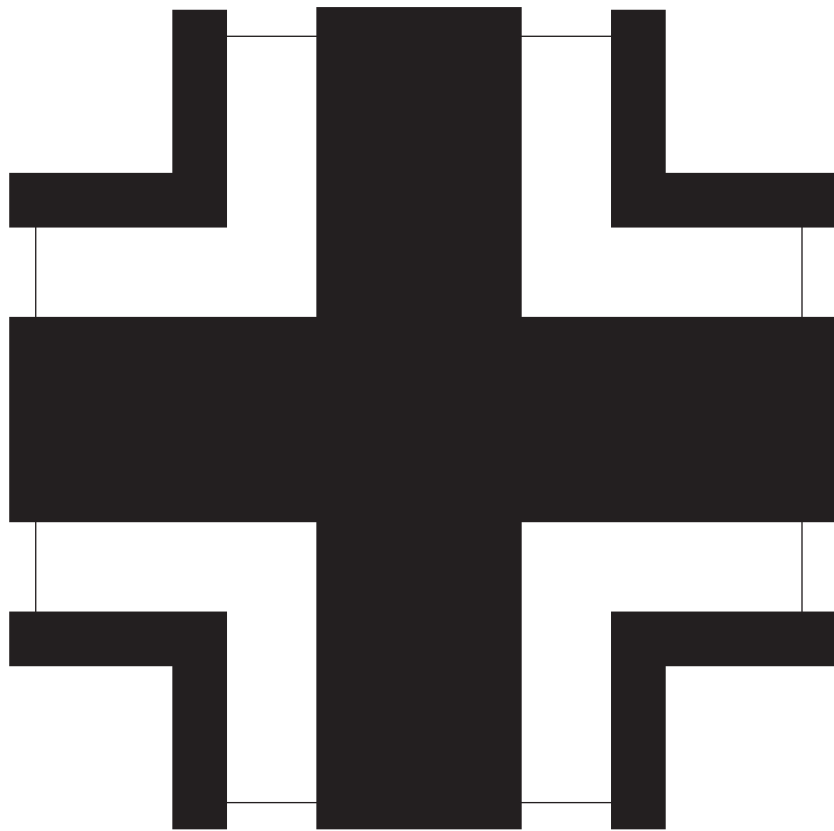


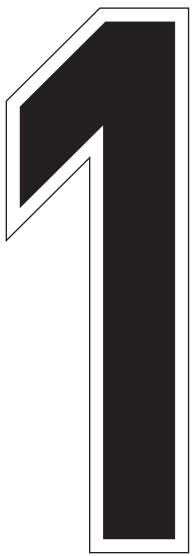
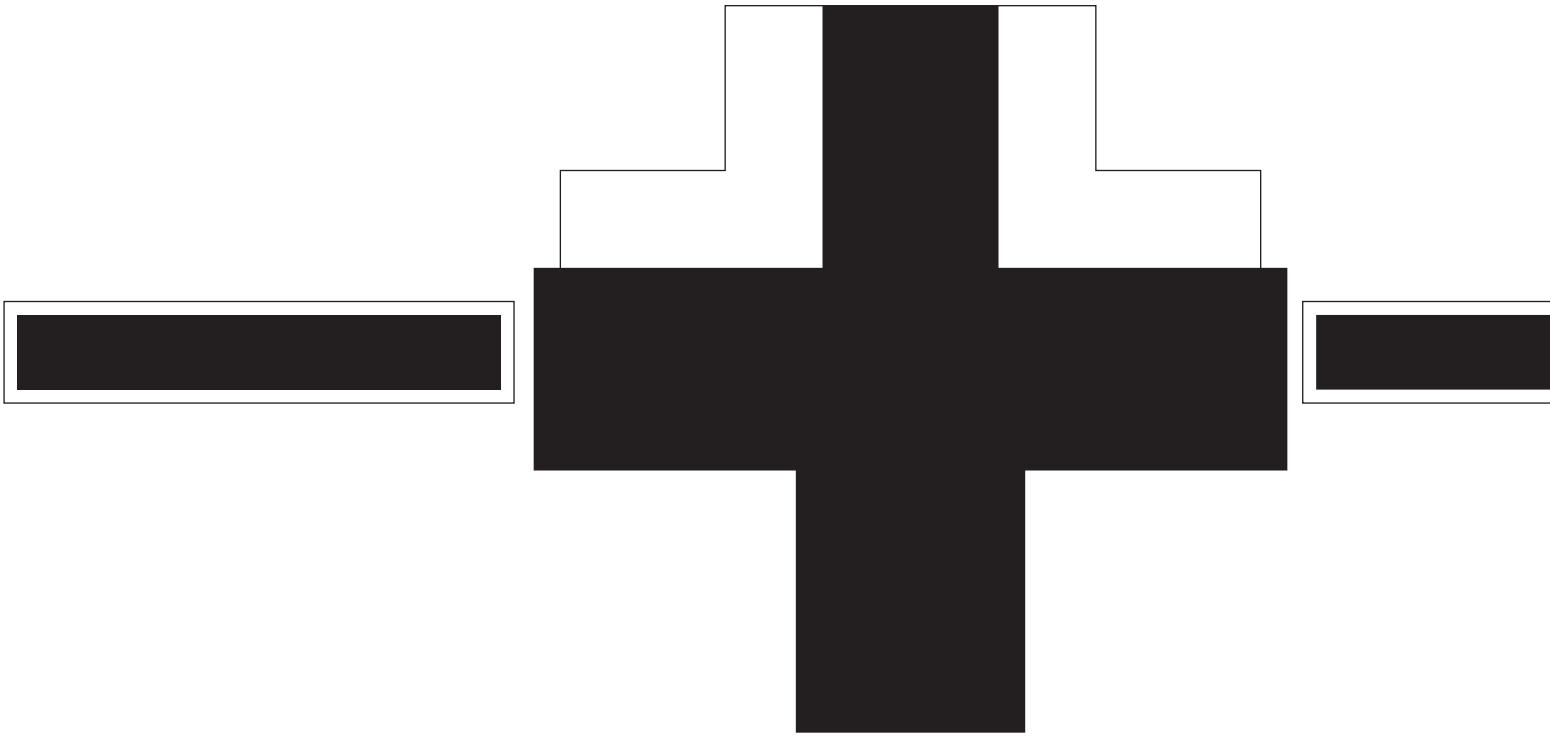
12"





12"



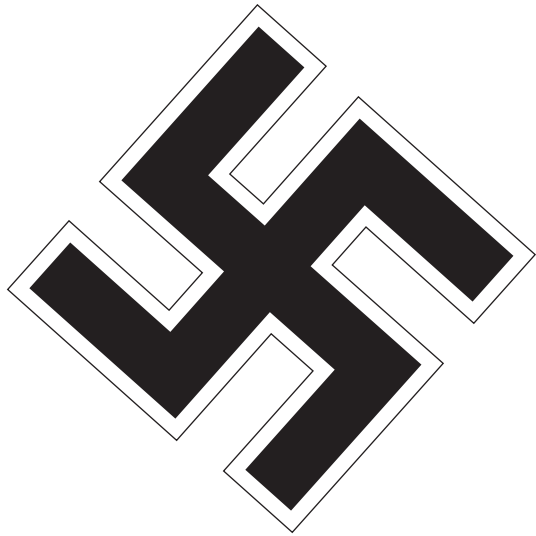
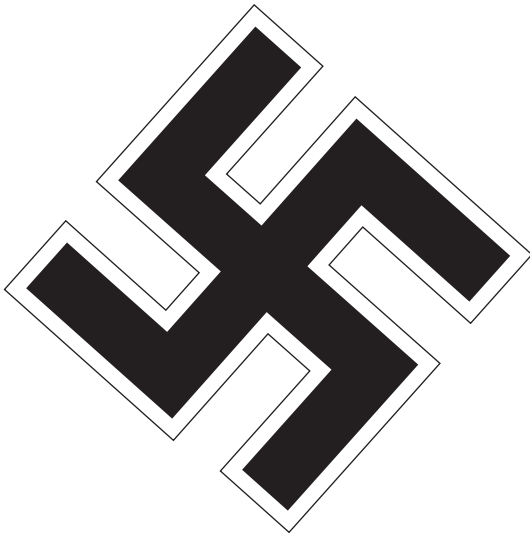


New Decals / Resized

13



12"







12"

